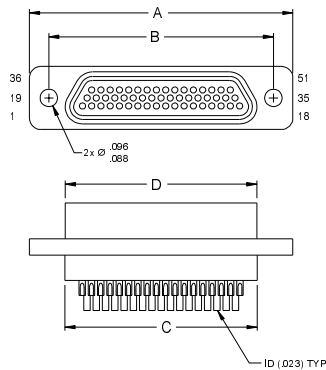
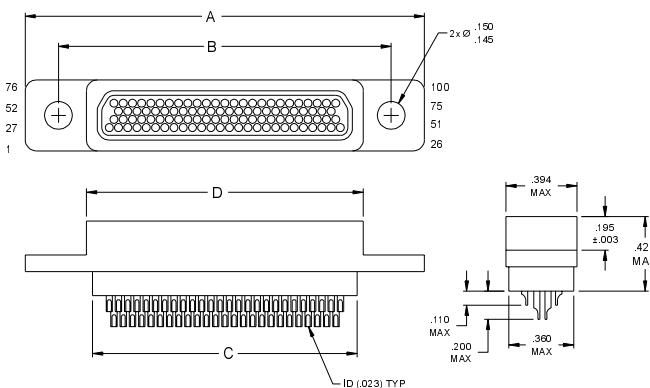


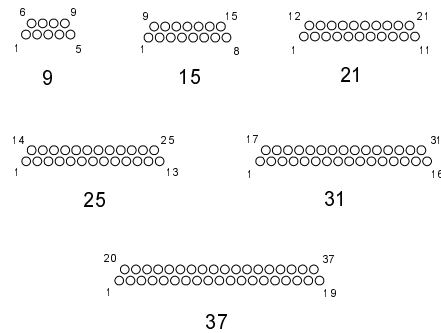
NO. OF CONTACTS	A MAX	B	C MAX	D MAX
9	.785	.565	.400	.402
15	.935	.715	.550	.552
21	1.085	.865	.700	.702
25	1.185	.965	.800	.802
31	1.335	1.115	.950	.952
37	1.485	1.265	1.100	1.102
51	1.435	1.215	1.050	1.052
100	2.170	1.800	1.442	1.508



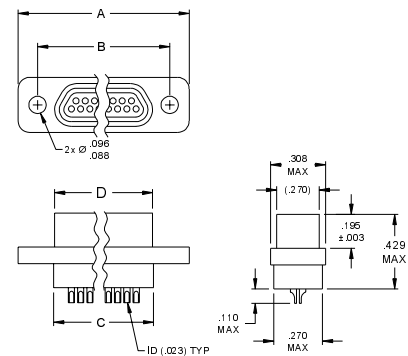
51 CONTACTS



100 CONTACTS



MATING FACE



9-37 CONTACTS

CIM 02 - # #

CRISTEK'S P/N EQUIVALENT TO M83513 MIL SPEC.

RECEPTACLE, CLASS M, SOLDER CUP SOCKET CONTACTS

NUMBER OF CONTACTS

- A = 9 D = 25 G = 51
- B = 15 E = 31 H = 100
- C = 21 F = 37

SHELL FINISH
C = CADMIUM
N = NICKEL

1. MATERIALS:

SHELL - ALUMINUM PER QQ-A-200/8, QQ-A-250/11, OR QQ-A-591
INSULATOR - DIALLYL PHTHALATE PER MIL-M-14, TYPE SDG-F
SOCKET CONTACT - COPPER ALLOY
INTERFACIAL SEAL - FLUOROSILICONE BLEND

2. FINISH:

SHELL - CADMIUM PER QQ-P-416, TYPE II, CLASS 3 OVER
ELECTROLESS NICKEL PER AMS 2404
OR ELECTROLESS NICKEL PER AMS 2404.
CONTACT - GOLD PER MIL-G-45204, TYPE II, GRADE C,
CLASS I OVER NICKEL PER QQ-N-290.

3. SPECIFICATIONS:

CURRENT RATING ----- 3 AMPS MAX
TEMPERATURE RATING ----- -55° C TO +125° C
INSULATION RESISTANCE ----- 5000 MEGOHMS MIN
DWV AT SEA LEVEL ----- 600 VAC
DWV AT 70,000 FT ALTITUDE --- 150 VAC
CONTACT RESISTANCE ----- 8 MILLIOHMS MAX AT 2.5 AMPS
LOW LEVEL CONTACT ----- 10 MILLIOHMS MAX
RESISTANCE
CONTACT RETENTION ----- 5 lb MINIMUM AXIAL LOAD
ENGAGEMENT FORCE ----- 6 oz MAX
SEPARATION FORCE ----- 0.5 oz MIN

4. ADDITIONAL INFORMATION:

FOR CROSS-REFERENCING CRISTEK PART NUMBERS TO M83513, SEE CROSS REFERENCE INFORMATION IN THE FRONT OF THIS SECTION. FOR MOUNTING HARDWARE OPTIONS, SEE THE HARDWARE PAGES AT THE END OF THIS SECTION

CRISTEK INTERCONNECTS, INC. www.cristek.com 1301 S. Lewis St. Anaheim, CA 92805 Phone: (714) 618-2000 FAX: (714) 535-4897	TITLE MICROMINIATURE D METAL SHELL RECEPTACLE, SOLDER CUP		DWG. NO. M83513/02	
	FILENAME ADS-CIM02-1	CODE IDENT NO. 67720	SHT 1 OF 1	REV D
TOLERANCE: .XXX ±.005 .XX ±.01 ANGLE ±1°				