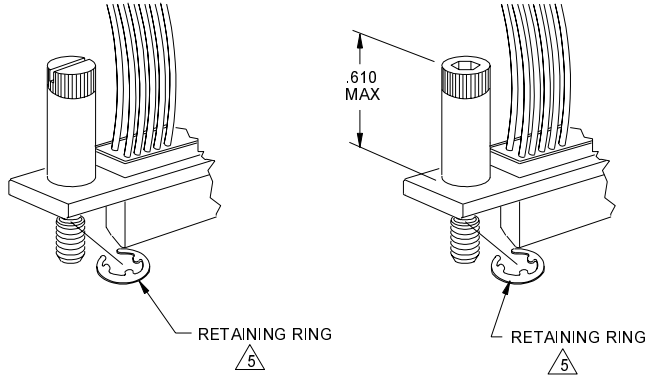
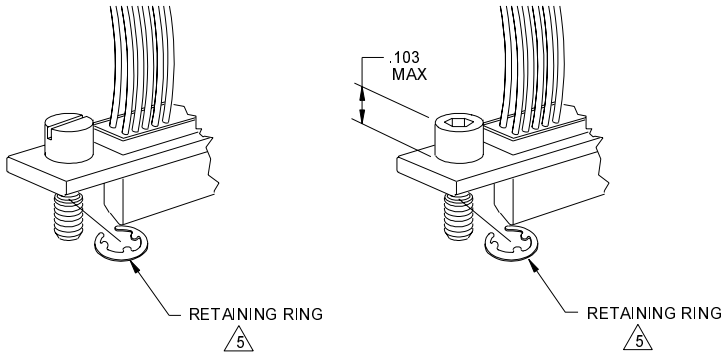


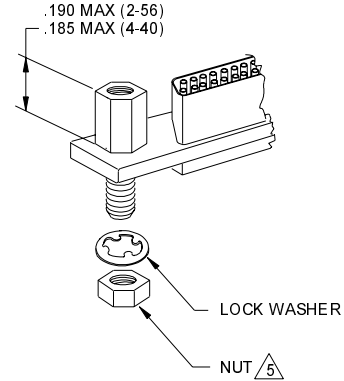
1.1 MICRO CONNECTORS / M83513 MICRO D



HIGH PROFILE JACKSCREWS



LOW PROFILE JACKSCREWS



JACKPOST KIT

MILITARY CROSS REFERENCE	
M83513/05-02	CIM05-02
M83513/05-03	CIM05-03
M83513/05-05	CIM05-05
M83513/05-06	CIM05-06
M83513/05-12	CIM05-12
M83513/05-13	CIM05-13
M83513/05-15	CIM05-15
M83513/05-16	CIM05-16
M83513/05-17	CIM05-17

CIM 05 - # #

CRISTEK'S P/N EQUIVALENT TO M83513 MIL SPEC.

HARDWARE

THREAD TYPE

- 0 = #2-56 USED ON SIZES 9 THRU 51
- 1 = #4-40 USED ON SIZE 100 ONLY

△ TYPE OF HARDWARE

- 2 = JACKSCREW, LOW PROFILE HEX DRIVE
- 3 = JACKSCREW, HIGH PROFILE HEX DRIVE
- 5 = JACKSCREW, LOW PROFILE SLOTTED
- 6 = JACKSCREW, HIGH PROFILE SLOTTED
- 7 = JACKPOST KIT (WASHER & NUT INCLUDED)

1. MATERIAL:
JACKPOSTS & JACKSCREWS - 303 STAINLESS STEEL
2. FINISH:
JACKPOSTS & JACKSCREWS - PASSIVATED PER QQ-P-35
3. JACKPOST SETS INCLUDE 2 EACH: JACKPOSTS, LOCK WASHERS, NUTS
JACKSCREW SETS INCLUDE 2 EACH: JACKSCREWS, RETAINING RINGS

△ IF SPECIFIED, HARDWARE ON THE SAME SALES ORDER AS THE CONNECTOR CAN BE INSTALLED BY CRISTEK AT NO CHARGE. HARDWARE IS CERTIFIED TO M83513.

△ RETAINING RINGS, LOCK WASHERS & NUTS PER M83513/05.

6. ADDITIONAL INFORMATION:

OTHER HARDWARE IS ALSO AVAILABLE TO MEET SPECIFIC APPLICATION REQUIREMENTS. SEE HARDWARE APPLICATION NOTES AT THE BACK OF THIS SECTION.

CRISTEK INTERCONNECTS, INC. www.cristek.com 1301 S. Lewis St. Anaheim, CA 92805 Phone: (714) 618-2000 FAX: (714) 535-4897	TITLE	DWG. NO.		
	MILITARY HARDWARE FILENAME ADS-CIM05-1	M83513/05		REV
		CODE IDENT NO. 67720	SHT 1 OF 1	C
		TOLERANCE: .XXX ±.005 .XX ±.01 ANGLE ±1°		