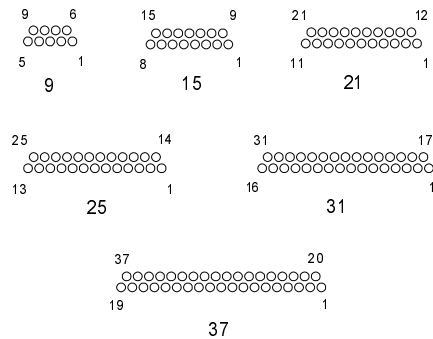
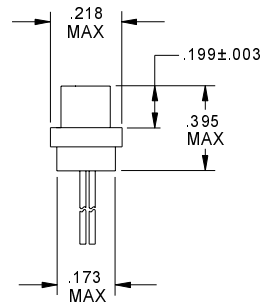
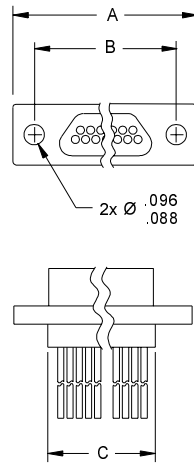


1.1 MICRO CONNECTORS / M83513 MICRO D

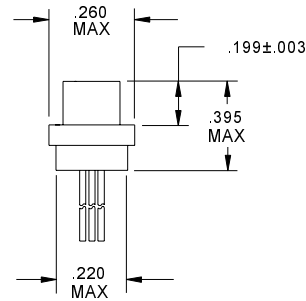
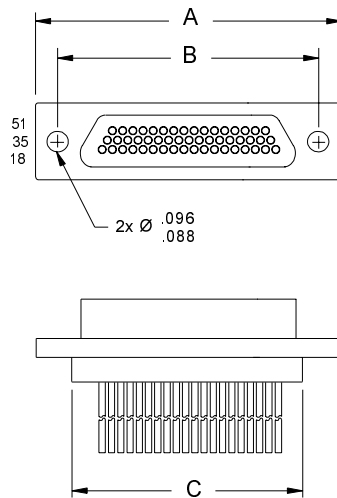
NO. OF CONTACTS	A MAX	B	C MAX
9	.788	.565	.408
15	.938	.715	.558
21	1.088	.865	.708
25	1.188	.965	.808
31	1.338	1.115	.958
37	1.488	1.265	1.108
51	1.438	1.215	1.058



MATING FACE



9-37 CONTACTS



51 CONTACTS

CRISTEK INTERCONNECTS, INC.
 www.cristek.com
 1301 S. Lewis St.
 Anaheim, CA 92805
 Phone: (714) 618-2000
 FAX: (714) 535-4897

TITLE
**MICROMINIATURE D PLASTIC
 PLUG, CRIMPED-PREWIRED**

FILENAME
ADS-CIM08-1

DWG. NO.
M83513/08

CODE IDENT NO. 67720	SHT 1	OF 2	REV C
--------------------------------	-----------------	----------------	-----------------

TOLERANCE: .XXX ± .005 .XX ± .01 ANGLE ± 1°

WIRE OPTIONS TABULATION BLOCK						
LENGTH	+1.00 -0.00		+0.20 -0.00		WIRE TYPE	
	18"	36"	72"	.5"		
DASH NUMBER	01	02	13	/	/	M22759/11-26-9 (ALL WHITE)
	03	04	14	/	/	M22759/11-26-*** COLOR CODE PER M83513
	09	10	15	/	/	M22759/33-26-9 (ALL WHITE)
	11	12	16	/	/	M22759/33-26-*** COLOR CODE PER M83513
	/	/	/	05	/	QQ-W-343, TYPE S 25 AWG GOLD PLATE .000010"
	/	/	/	06	/	QQ-W-343, TYPE S 25 AWG GOLD PLATE .000010"
	/	/	/	07	/	QQ-W-343, TYPE S 25 AWG TIN PLATE .000100"
	/	/	/	08	/	QQ-W-343, TYPE S 25 AWG TIN PLATE .000100"

CIM 08 — # ##

CRISTEK'S P/N EQUIVALENT
TO M83513 MIL SPEC.

PLUG, CLASS P,
CRIMPED PREWIRED NON-REMOVABLE
PIN CONTACTS

NUMBER OF CONTACTS

A = 9 D = 25 G = 51
B = 15 E = 31
C = 21 F = 37

WIRE OPTIONS
SEE TABULATION BLOCK

1. MATERIALS:

INSULATOR - POLYPHENYLENE SULFIDE PER MIL-M-24519
TYPE GST-40F
PIN CONTACT - BERYLLIUM COPPER
WIRE - PER TABULATION BLOCK

3. SPECIFICATIONS:

CURRENT RATING ----- 3 AMPS MAX
TEMPERATURE RATING ----- -55° C TO +125° C
INSULATION RESISTANCE ----- 5000 MEGOHMS MIN
DWW AT SEA LEVEL ----- 600 VAC
DWW AT 70,000 FT ALTITUDE --- 150 VAC
CONTACT RESISTANCE ----- 8 MILLIOHMS MAX AT 2.5 AMPS
LOW LEVEL CONTACT ----- 10 MILLIOHMS MAX
RESISTANCE
CONTACT RETENTION ----- 5 lb MINIMUM AXIAL LOAD
ENGAGEMENT FORCE ----- 6 oz MAX
SEPARATION FORCE ----- 0.5 oz MIN

4. ADDITIONAL INFORMATION:

FOR CROSS-REFERENCING CRISTEK PART
NUMBERS TO M83513, SEE CROSS REFERENCE
INFORMATION IN THE FRONT OF THIS SECTION.
FOR MOUNTING HARDWARE OPTIONS, SEE THE
HARDWARE PAGES AT THE END OF THIS SECTION

2. FINISH:

CONTACT - GOLD PER MIL-G-45204, TYPE II, GRADE C,
CLASS I OVER NICKEL PER QQ-N-290.

CRISTEK INTERCONNECTS, INC. www.cristek.com 1301 S. Lewis St. Anaheim, CA 92805 Phone: (714) 618-2000 FAX: (714) 535-4897	TITLE	MICROMINIATURE D PLASTIC PLUG, CRIMPED-PREWIRED		DWG. NO.	M83513/08	
	FILENAME	ADS-CIM08-2		CODE IDENT NO.	67720	REV C
			SHT	2 OF 2	TOLERANCE: .XXX ± .005 .XX ± .01 ANGLE ± 1°	