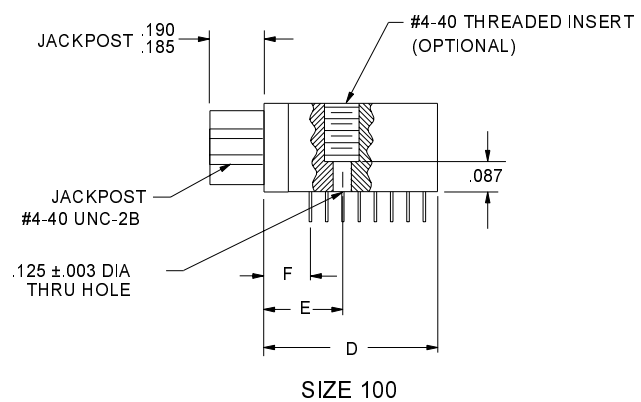
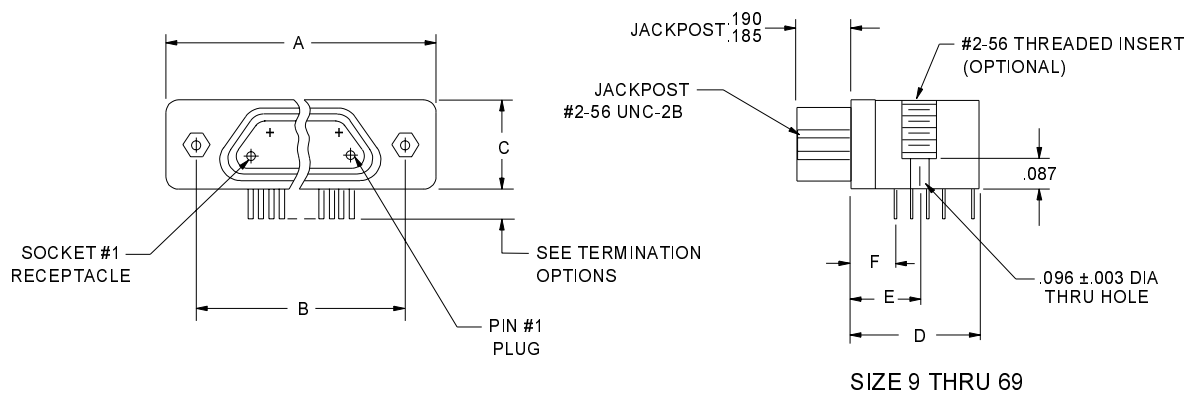
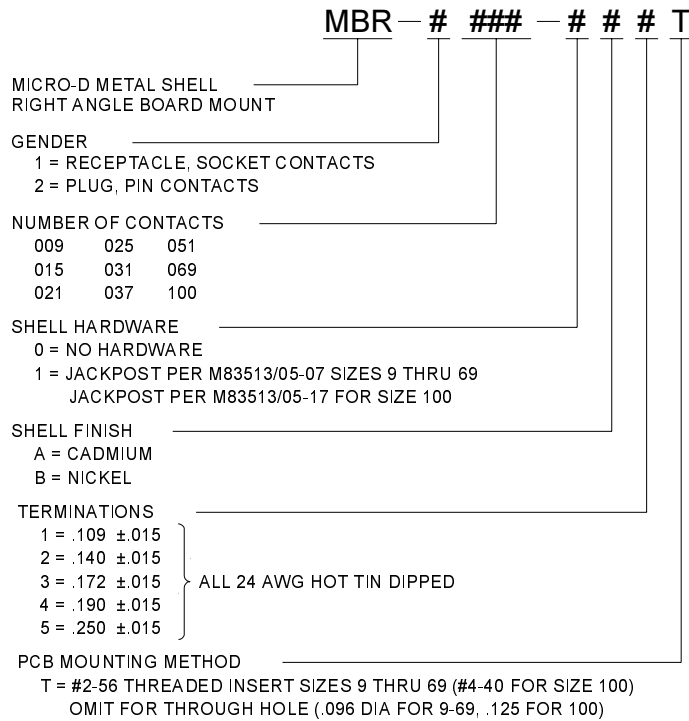


## 1.2 MICRO CONNECTORS / MOTS

NO. OF POSITIONS	A MAX	B NOM	C MAX	D MAX	E	F
9	.787	.565	.325	.425	.25	.23
15	.937	.715	.325	.425	.25	.13
21	1.087	.865	.325	.425	.25	.13
25	1.187	.965	.325	.425	.25	.13
31	1.337	1.115	.325	.525	.25	.13
37	1.487	1.265	.325	.525	.25	.13
51	1.435	1.215	.360	.660	.30	.15
69	1.735	1.515	.360	.650	.30	.15
100	2.175	1.800	.420	1.010	.40	.20



CRISTEK INTERCONNECTS, INC. www.cristek.com 1301 S. Lewis St. Anaheim, CA 92805 Phone: (714) 618-2000 FAX: (714) 535-4897	TITLE	DWG. NO.		
	MICRO D METAL SHELL RIGHT ANGLE P.C.B. MOUNT	MBR		
FILENAME	ADS-MBR-1	CODE IDENT NO. 67720	SHT 1 OF 4	REV F
		TOLERANCE: .XXX ± .005 .XX ± .01 ANGLE ± 1°		



**1. MATERIALS:**

SHELL - ALUMINUM PER QQ-A-200/8, QQ-A-250/11, OR QQ-A-591  
INSULATOR - DIALLYL PHTHALATE PER MIL-M-14G, TYPE SDG-F  
BACKSHELL - POLYPHENYLENE SULFIDE PER MIL-M-24519  
TYPE GST-40F  
PIN CONTACT - BERYLLIUM COPPER  
SOCKET CONTACT - COPPER ALLOY  
INTERFACIAL SEAL - FLUOROSILICONE BLEND

**2. FINISH:**

SHELL - CADMIUM PER QQ-P-416, TYPE II, CLASS 3 OVER  
ELECTROLESS NICKEL PER AMS 2404 OR  
ELECTROLESS NICKEL PER AMS 2404  
CONTACT - GOLD PER MIL-G-45204, TYPE II, GRADE C,  
CLASS I OVER NICKEL PER QQ-N-290.

**3. SPECIFICATIONS:**

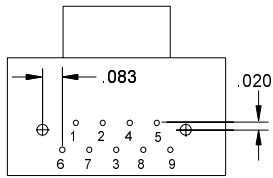
CURRENT RATING ----- 3 AMPS MAX  
TEMPERATURE RATING ----- -55° C TO +125° C  
INSULATION RESISTANCE ----- 5000 MEGOHMS MIN  
DWW AT SEA LEVEL ----- 600 VAC  
DWW AT 70,000 FT ALTITUDE --- 150 VAC  
CONTACT RESISTANCE ----- 8 MILLIOHMS MAX AT 2.5 AMPS  
LOW LEVEL CONTACT ----- 10 MILLIOHMS MAX  
RESISTANCE  
CONTACT RETENTION ----- 5 lb MINIMUM AXIAL LOAD  
ENGAGEMENT FORCE ----- 6 oz MAX  
SEPARATION FORCE ----- 0.5 oz MIN

**4. ADDITIONAL INFORMATION:**

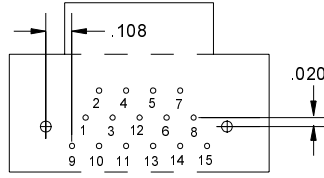
DESIGN AND PERFORMANCE IN GENERAL  
ACCORDANCE WITH M83513  
CONTACT CRISTEK FOR OTHER CONFIGURATIONS

<p>CRISTEK INTERCONNECTS, INC. www.cristek.com 1301 S. Lewis St. Anaheim, CA 92805 Phone: (714) 618-2000 FAX: (714) 535-4897</p>	<p>TITLE <b>MICRO D METAL SHELL RIGHT ANGLE P.C.B. MOUNT</b></p>	<p>DWG. NO. <b>MBR</b></p>	
	<p>FILENAME <b>ADS-MBR-2</b></p>	<p>CODE IDENT NO. <b>67720</b></p>	<p>SHT <b>2</b> OF <b>4</b></p>
<p>TOLERANCE: .XXX ±.005 .XX ±.01 ANGLE ±1°</p>			

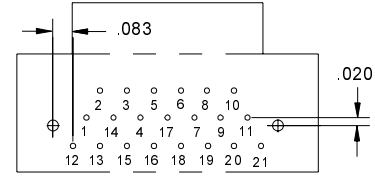
## 1.2 MICRO CONNECTORS / MOTS



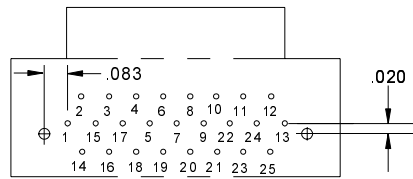
9 CONTACTS



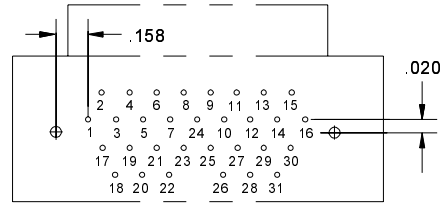
15 CONTACTS



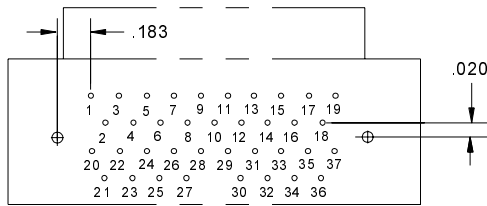
21 CONTACTS



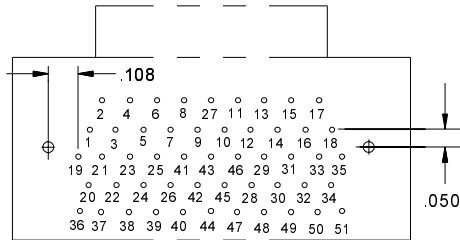
25 CONTACTS



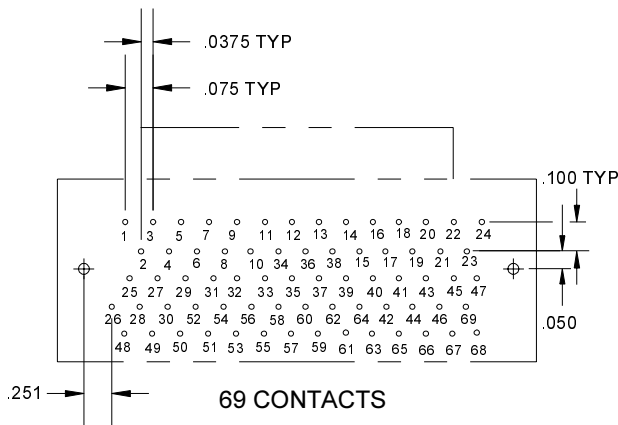
31 CONTACTS



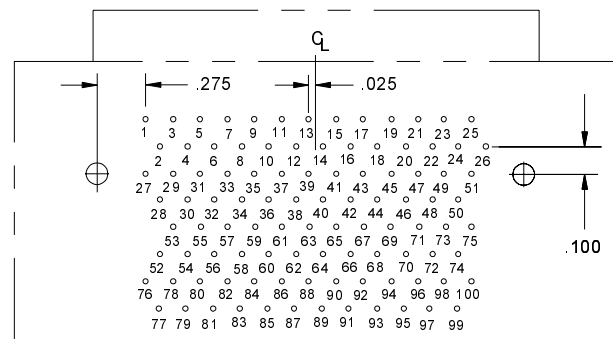
37 CONTACTS



51 CONTACTS



69 CONTACTS

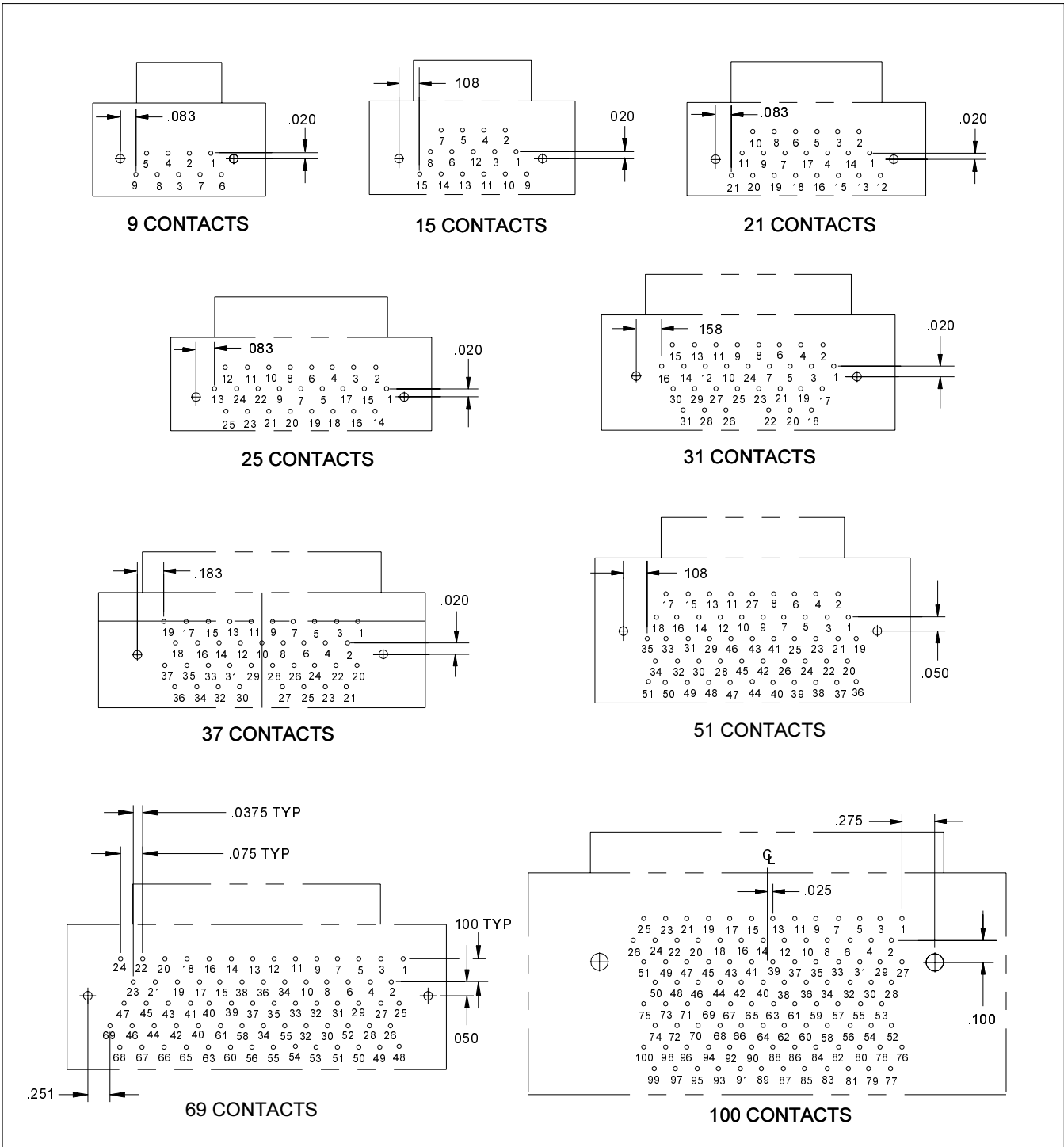


100 CONTACTS

### MBR PLUG PCB LAYOUTS (BOTTOM VIEW OF RECEPTACLE - EXCEPT 69 & 100)

.100 X .100 GRID PATTERN OFFSET .050 (EXCEPT 69)

CRISTEK INTERCONNECTS, INC. www.cristek.com 1301 S. Lewis St. Anaheim, CA 92805 Phone: (714) 618-2000 FAX: (714) 535-4897	TITLE	DWG. NO.		
	MICRO D METAL SHELL RIGHT ANGLE P.C.B. MOUNT	MBR		
	FILENAME	CODE IDENT NO.	SHT	REV
ADS-MBR-3	67720	3 OF 4	F	
		TOLERANCE: .XXX ±.005 .XX ±.01 ANGLE ±1°		



**MBR RECEPTACLE PCB LAYOUTS (BOTTOM VIEW OF PLUG - EXCEPT 69 & 100)**

.100 X .100 GRID PATTERN OFFSET .050 (EXCEPT 69)

CRISTEK INTERCONNECTS, INC. www.cristek.com 1301 S. Lewis St. Anaheim, CA 92805 Phone: (714) 618-2000 FAX: (714) 535-4897	TITLE	MICRO D METAL SHELL RIGHT ANGLE P.C.B. MOUNT			DWG. NO.	MBR	
	FILENAME	ADS-MBR-4			CODE IDENT NO. <b>67720</b>	SHT <b>4</b> OF <b>4</b>	REV <b>F</b>
						TOLERANCE: .XXX ±.005 .XX ±.01 ANGLE ±1°	