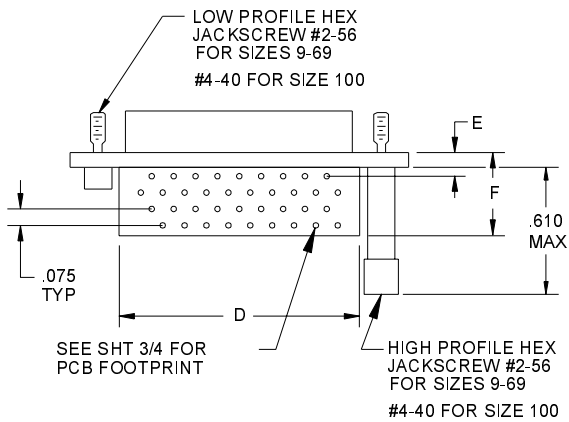
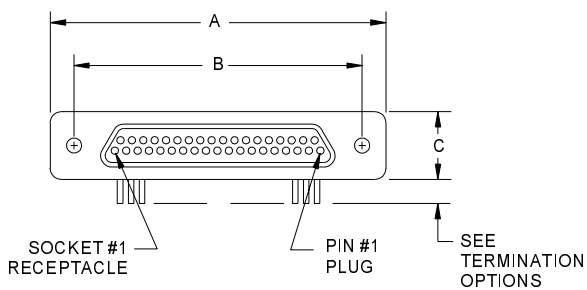
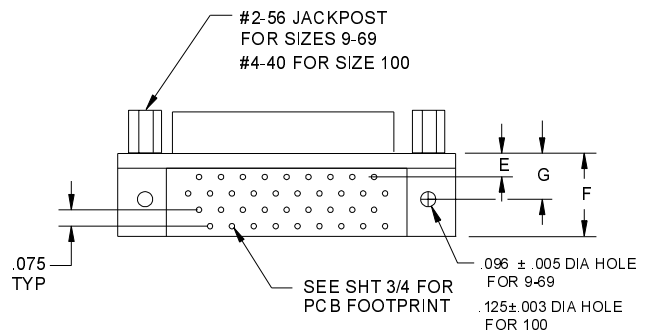
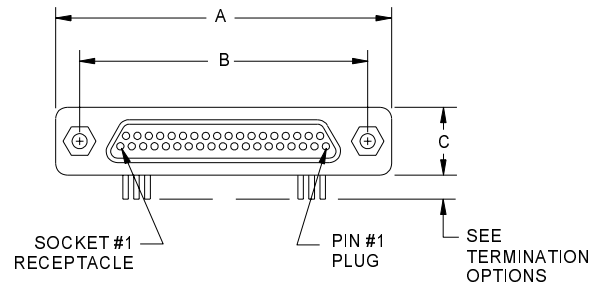


1.2 MICRO CONNECTORS / MOTS

NO. OF CONTACTS	A MAX	B	C MAX	D MAX	E MAX	F MAX	G MAX
9	.785	.565	.308	.400	.138	.410	.250
15	.935	.715	.308	.550	.138	.410	.250
21	1.085	.865	.308	.700	.138	.410	.250
25	1.185	.965	.308	.800	.138	.410	.250
31	1.335	1.115	.308	.950	.138	.410	.250
37	1.485	1.265	.308	1.100	.138	.410	.250
51	1.435	1.215	.351	1.045	.145	.500	.295
69	1.735	1.515	.351	1.333	.145	.500	.295
100	2.170	1.800	.394	1.550	.163	.615	.350



BODY STYLE #1



BODY STYLE #2

CRISTEK INTERCONNECTS, INC.
 www.cristek.com
 1301 S. Lewis St.
 Anaheim, CA 92805
 Phone: (714) 618-2000
 FAX: (714) 535-4897

TITLE
METAL, RIGHT ANGLE BOARD MOUNT CONDENSED

FILENAME
ADS-MCR-1

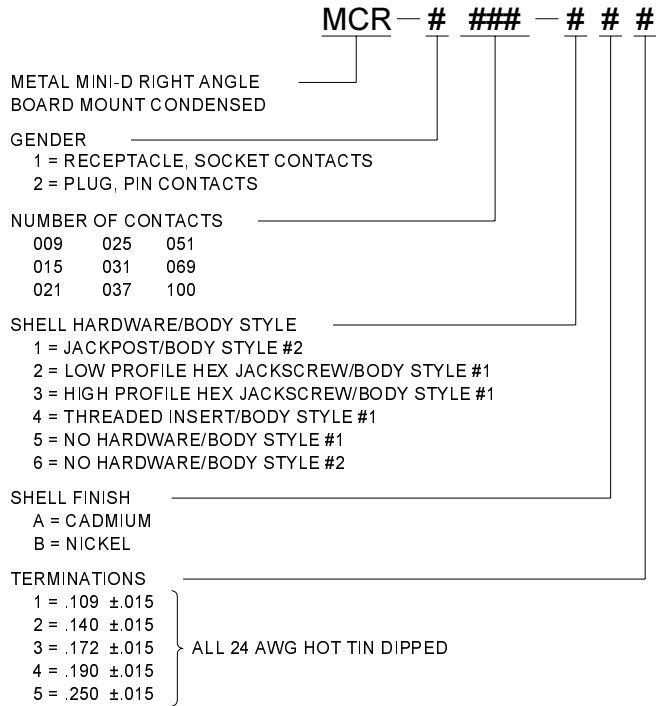
DWG. NO.
MCR

CODE IDENT NO.
67720

SHT **1** OF **4**

REV
J

TOLERANCE: .XXX ±.005 .XX ±.01 ANGLE ±1°



1. MATERIALS:

SHELL - ALUMINUM PER QQ-A-200/8, QQ-A-250/11, OR QQ-A-591
 INSULATOR - DIALLYL PHTHALATE PER MIL-M-14G, TYPE SDG-F
 BACKSHELL - POLYPHENYLENE SULFIDE PER MIL-M-24519
 TYPE GST-40F
 PIN CONTACT - BERYLLIUM COPPER
 SOCKET CONTACT - COPPER ALLOY
 INTERFACIAL SEAL - FLUOROSILICONE BLEND

2. FINISH:

SHELL - CADMIUM PER QQ-P-416, TYPE II, CLASS 3 OVER
 ELECTROLESS NICKEL PER AMS 2404 OR
 ELECTROLESS NICKEL PER AMS 2404
 CONTACT - GOLD PER MIL-G-45204, TYPE II, GRADE C,
 CLASS I OVER NICKEL PER QQ-N-290.

3. SPECIFICATIONS:

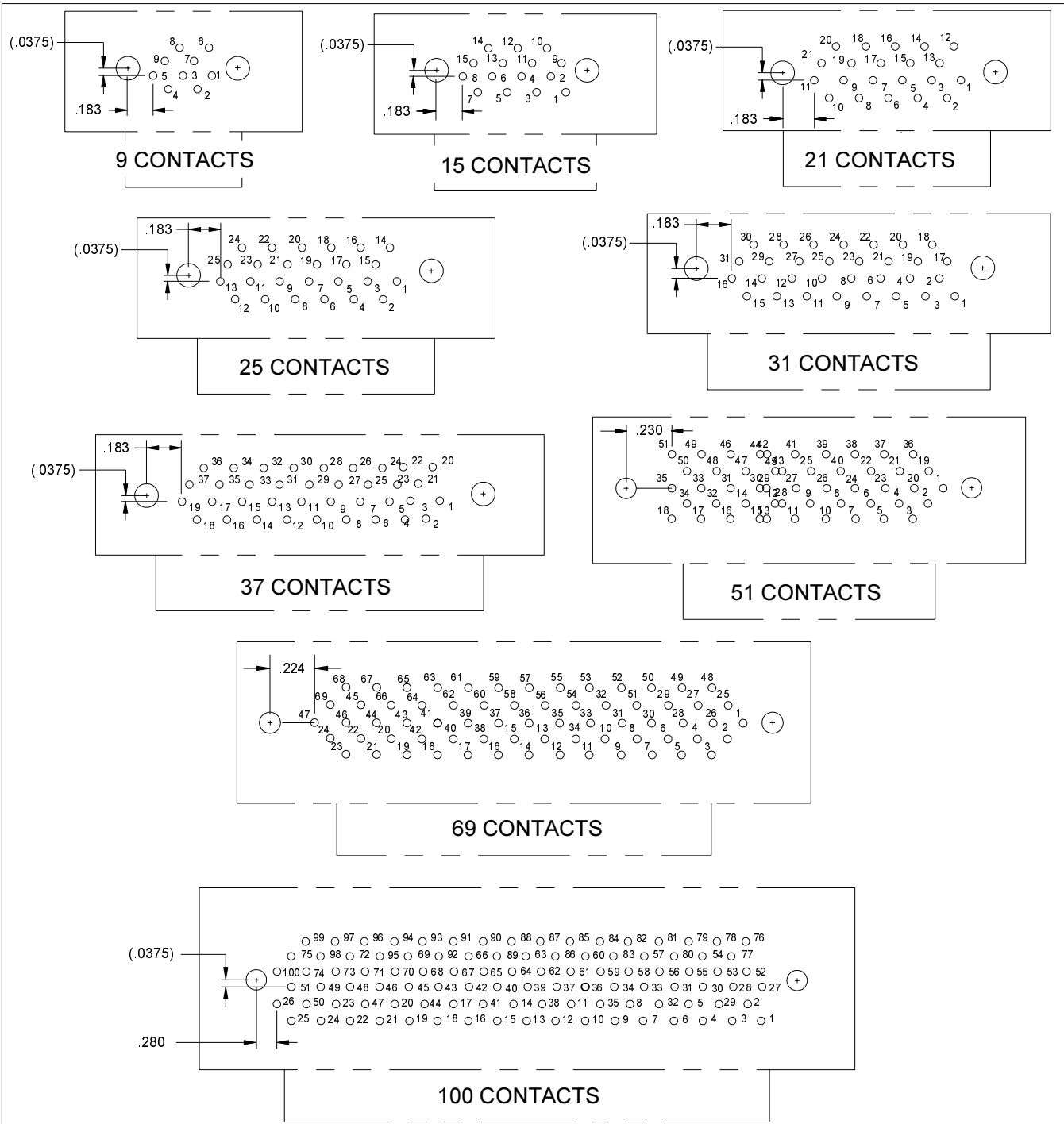
CURRENT RATING ----- 3 AMPS MAX
 TEMPERATURE RATING ----- -55° C TO +125° C
 INSULATION RESISTANCE ----- 5000 MEGOHMS MIN
 DWV AT SEA LEVEL ----- 600 VAC
 DWV AT 70,000 FT ALTITUDE --- 150 VAC
 CONTACT RESISTANCE ----- 8 MILLIOHMS MAX AT 2.5 AMPS
 LOW LEVEL CONTACT ----- 10 MILLIOHMS MAX
 RESISTANCE
 CONTACT RETENTION ----- 5 lb MINIMUM AXIAL LOAD
 ENGAGEMENT FORCE ----- 6 oz MAX
 SEPARATION FORCE ----- 0.5 oz MIN

4. ADDITIONAL INFORMATION:

DESIGN AND PERFORMANCE IN GENERAL
 ACCORDANCE WITH M83513 WHERE APPLICABLE.
 CONTACT CRISTEK FOR OTHER CONFIGURATIONS.

CRISTEK INTERCONNECTS, INC. www.cristek.com 1301 S. Lewis St. Anaheim, CA 92805 Phone: (714) 618-2000 FAX: (714) 535-4897	TITLE METAL, RIGHT ANGLE BOARD MOUNT CONDENSED	DWG. NO. MCR	
	FILENAME ADS-MCR-2	CODE IDENT NO. 67720	SHT 2 OF 4
		TOLERANCE: .XXX ±.005 .XX ±.01 ANGLE ±1°	

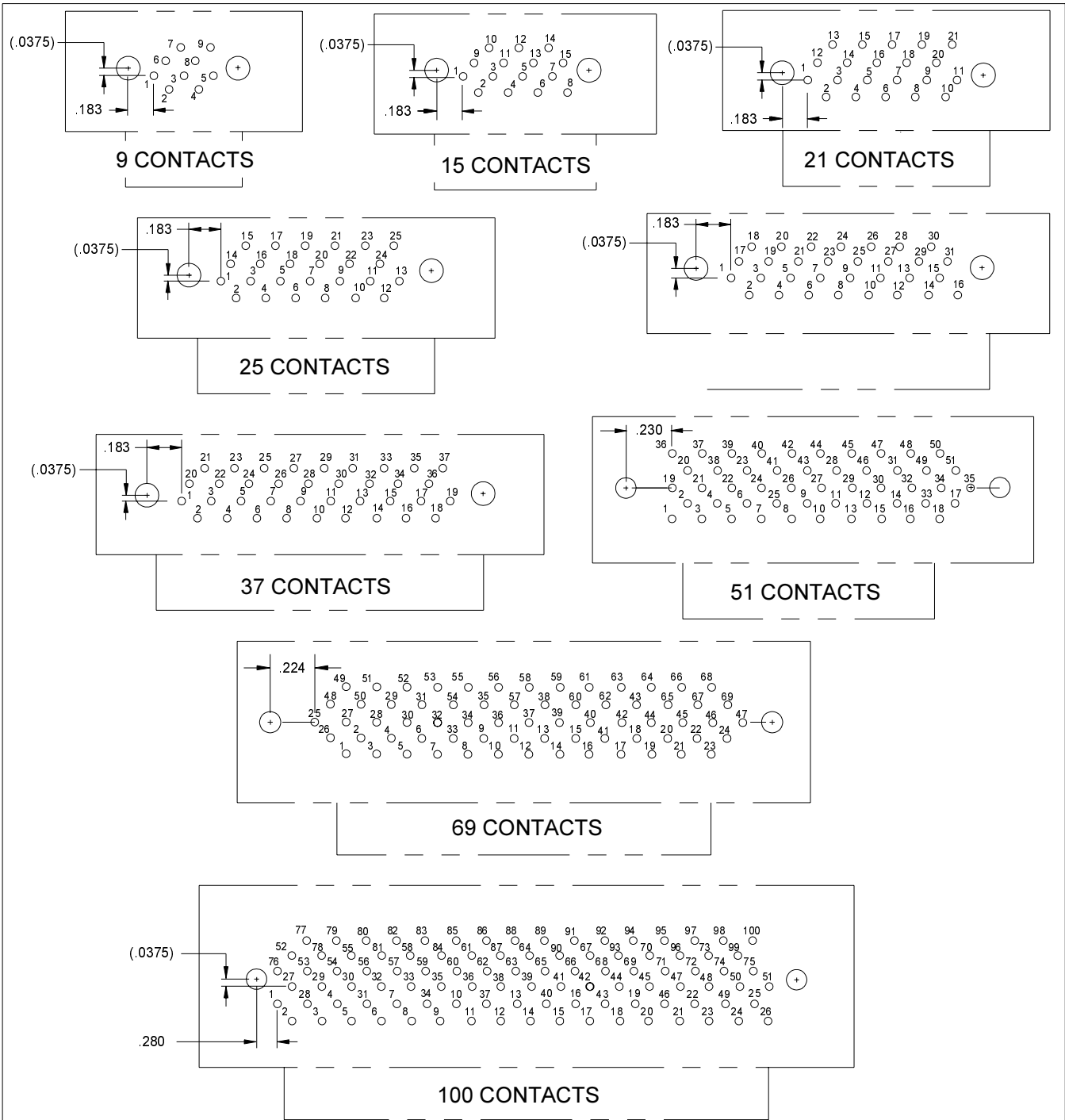
1.2 MICRO CONNECTORS / MOTS



MCR PLUG PCB LAYOUTS (LOOKING DOWN ON PCB)

SIZES 9 - 37: .100 X .075 GRID PATTERN OFFSET BY .050
 SIZES 51 - 100: .075 X .075 GRID PATTERN OFFSET BY .0375

CRISTEK INTERCONNECTS, INC. www.cristek.com 1301 S. Lewis St. Anaheim, CA 92805 Phone: (714) 618-2000 FAX: (714) 535-4897	TITLE	DWG. NO.		
	METAL, RIGHT ANGLE BOARD MOUNT CONDENSED	MCR		REV
	FILENAME	CODE IDENT NO.	SHT	OF
ADS-MCR-3	67720	3	4	J
		TOLERANCE: .XXX ±.005 .XX ±.01 ANGLE ±1°		



MCR RECEPTACLE PCB LAYOUTS (LOOKING DOWN ON PCB)

SIZES 9 - 37: .100 X .075 GRID PATTERN OFFSET BY .050

SIZES 51 - 100: .075 X .075 GRID PATTERN OFFSET BY .0375

CRISTEK INTERCONNECTS, INC. www.cristek.com 1301 S. Lewis St. Anaheim, CA 92805 Phone: (714) 618-2000 FAX: (714) 535-4897	TITLE	METAL, RIGHT ANGLE BOARD MOUNT CONDENSED			DWG. NO.	MCR	
	FILENAME	ADS-MCR-4			CODE IDENT NO. 67720	SHT 4 OF 4	REV J
					TOLERANCE: .XXX ±.005 .XX ±.01 ANGLE ±1°		