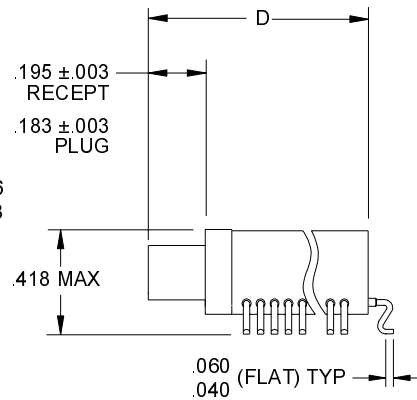
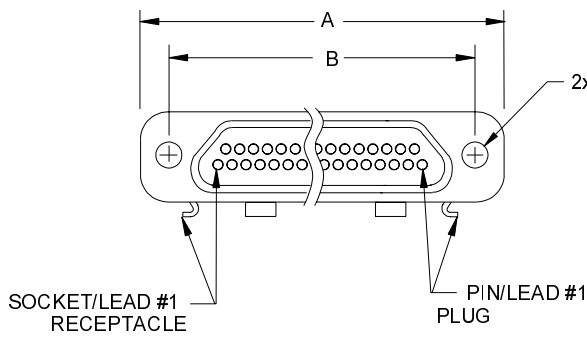
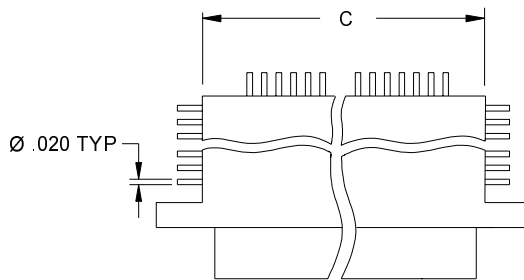
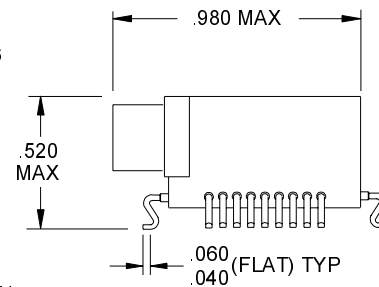
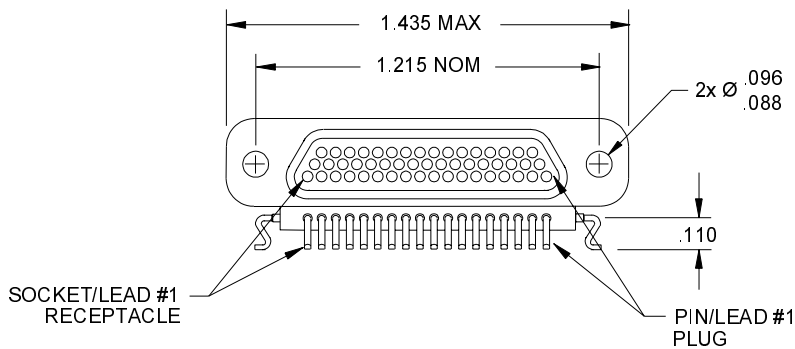


| NO. OF CONTACTS | A MAX | B     | C MAX | D MAX |
|-----------------|-------|-------|-------|-------|
| 9               | .785  | .565  | .400  | .570  |
| 15              | .935  | .715  | .550  | .620  |
| 21              | 1.085 | .865  | .700  | .720  |
| 25              | 1.185 | .965  | .800  | .770  |
| 31              | 1.335 | 1.115 | .950  | .870  |
| 37              | 1.485 | 1.265 | 1.100 | .920  |

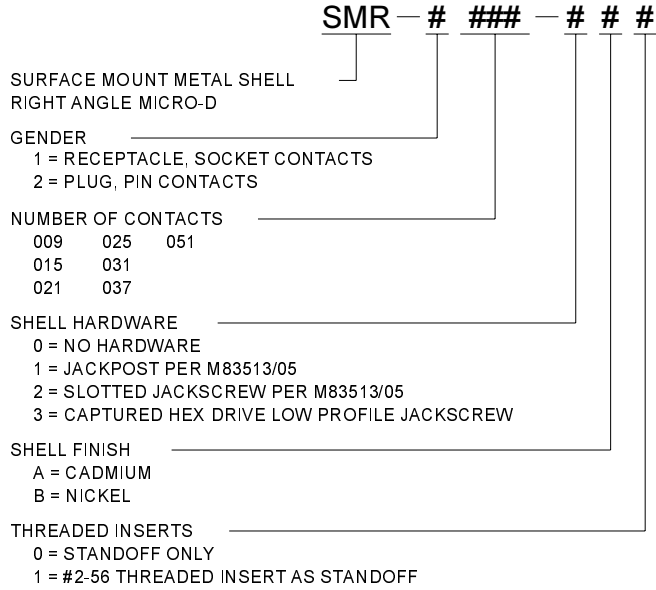


### SIZE 9 THRU 37



### SIZE 51

|  |  |   |            |          |
|--|--|---|------------|----------|
| CRISTEK INTERCONNECTS, INC.<br>www.cristek.com<br>1301 S. Lewis St.<br>Anaheim, CA 92805<br>Phone: (714) 618-2000<br>FAX: (714) 535-4897 | TITLE  | DWG. NO.                                    |            |          |
|  | MICRO-D METAL SHELL<br>SURFACE MOUNT RIGHT ANGLE | SMR   |            |          |
|  | FILENAME ADS-SMR-1                               | CODE IDENT NO.<br>67720                     | SHT 1 OF 4 | REV<br>E |
|  |  | TOLERANCE: .XXX ± .005 .XX ± .01 ANGLE ± 1° |            |          |



**1. MATERIALS:**

SHELL - ALUMINUM PER QQ-A-200/8, QQ-A-250/11, OR QQ-A-591  
 INSULATOR - DIALLYL PHTHALATE PER MIL-M-14G, TYPE SDG-F  
 BACKSHELL - POLYPHENYLENE SULFIDE PER MIL-M-24519  
 TYPE GST-40F  
 PIN CONTACT - BERYLLIUM COPPER  
 SOCKET CONTACT - COPPER ALLOY  
 LEAD - BRASS  
 INTERFACIAL SEAL - FLUOROSILICONE BLEND

**2. FINISH:**

SHELL - CADMIUM PER QQ-P-416, TYPE II, CLASS 3 OVER  
 ELECTROLESS NICKEL PER AMS 2404 OR  
 ELECTROLESS NICKEL PER AMS 2404  
 CONTACT / LEAD - GOLD PER MIL-G-45204, TYPE II, GRADE C,  
 CLASS I OVER NICKEL PER QQ-N-290  
 (LEADS ARE TYPICALLY HOT TIN DIPPED)

**3. SPECIFICATIONS:**

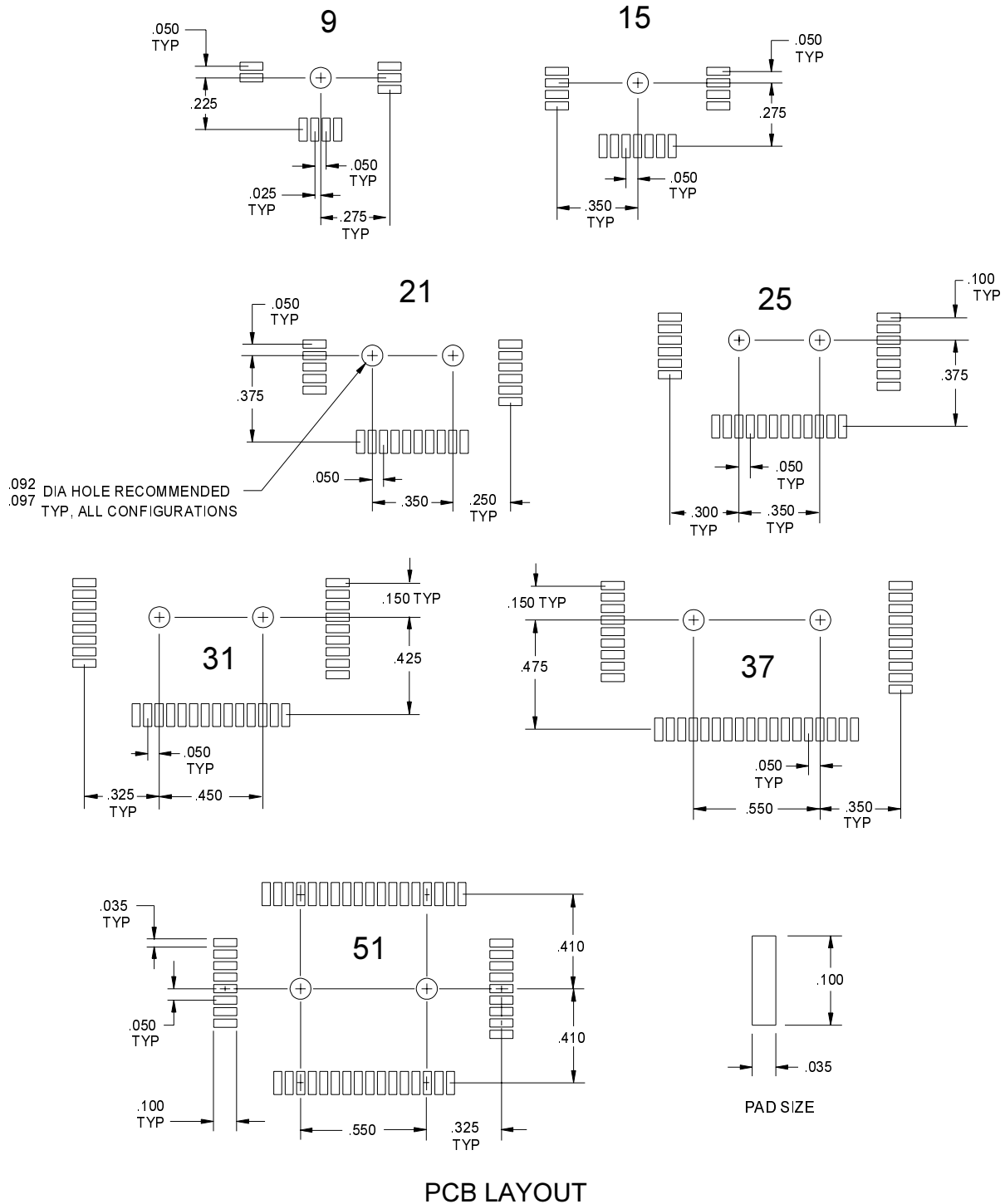
CURRENT RATING ----- 3 AMPS MAX  
 TEMPERATURE RATING ----- -55° C TO +125° C  
 INSULATION RESISTANCE ----- 5000 MEGOHMS MIN  
 DWV AT SEA LEVEL ----- 600 VAC  
 DWV AT 70,000 FT ALTITUDE --- 150 VAC  
 CONTACT RESISTANCE ----- 8 MILLIOHMS MAX AT 2.5 AMPS  
 LOW LEVEL CONTACT ----- 10 MILLIOHMS MAX  
 RESISTANCE  
 CONTACT RETENTION ----- 5 lb MINIMUM AXIAL LOAD  
 ENGAGEMENT FORCE ----- 6 oz MAX  
 SEPARATION FORCE ----- 0.5 oz MIN

**4. ADDITIONAL INFORMATION:**

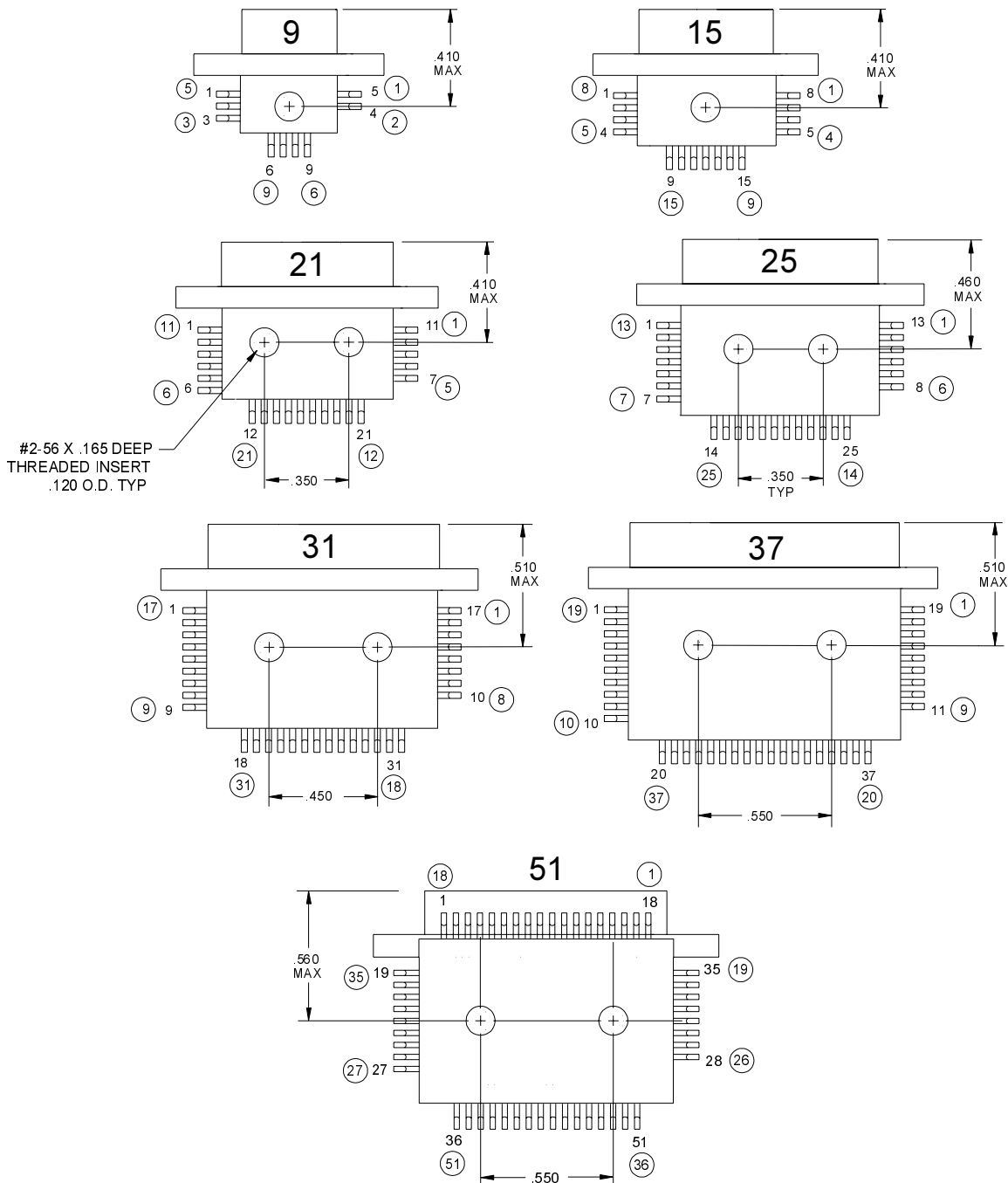
DESIGN AND PERFORMANCE IN GENERAL  
 ACCORDANCE WITH M83513.  
 CONTACT CRISTEK FOR OTHER HARDWARE  
 OPTIONS.

|  |   |                     |                                |  |                 |
|--|---|---------------------|--------------------------------|--|-----------------|
| CRISTEK INTERCONNECTS, INC.<br>www.cristek.com<br>1301 S. Lewis St.<br>Anaheim, CA 92805<br>Phone: (714) 618-2000<br>FAX: (714) 535-4897 | TITLE   | DWG. NO. <b>SMR</b> |                                |  |                 |
|  | <b>MICRO-D METAL SHELL<br/>                 SURFACE MOUNT RIGHT ANGLE</b> |                     | CODE IDENT NO.<br><b>67720</b> | SHT <b>2</b> OF <b>4</b>                 | REV<br><b>E</b> |
|  | FILENAME  | <b>ADS-SMR-2</b>    |                                | TOLERANCE: .XXX ±.005 .XX ±.01 ANGLE ±1° |                 |

## 1.2 MICRO CONNECTORS / MOTS



|  |  |  |                                |  |
|--|--|--|--------------------------------|--|
| CRISTEK INTERCONNECTS, INC.<br>www.cristek.com<br>1301 S. Lewis St.<br>Anaheim, CA 92805<br>Phone: (714) 618-2000<br>FAX: (714) 535-4897 | TITLE<br><b>MICRO-D METAL SHELL<br/>         SURFACE MOUNT RIGHT ANGLE</b> |  | DWG. NO.<br><b>SMR</b>         |  |
|  | FILENAME<br><b>ADS-SMR-3</b>   |  | CODE IDENT NO.<br><b>67720</b> | SHT <b>3</b> OF <b>4</b>                 |
|  |  |  | REV<br><b>E</b>                | TOLERANCE: .XXX ±.005 .XX ±.01 ANGLE ±1° |



**BOTTOM VIEW OF CONNECTOR**  
RECEPTACLE PIN NO.'S ARE NEXT TO FOOT  
PLUG PIN NO.'S ARE CIRCLED

|  |   |  |                                |                                       |
|--|---|--|--------------------------------|---------------------------------------|
| CRISTEK INTERCONNECTS, INC.<br>www.cristek.com<br>1301 S. Lewis St.<br>Anaheim, CA 92805<br>Phone: (714) 618-2000<br>FAX: (714) 535-4897 | TITLE<br><b>MICRO-D METAL SHELL<br/>SURFACE MOUNT RIGHT ANGLE</b> |  | DWG. NO.<br><b>SMR</b>         |                                       |
|  | FILENAME<br><b>ADS-SMR-4</b>                                      |  | CODE IDENT NO.<br><b>67720</b> | SHT <b>4</b> OF <b>4</b> REV <b>E</b> |
|  | TOLERANCE: .XXX ±.005 .XX ±.01 ANGLE ±1°                          |  |                                |                                       |