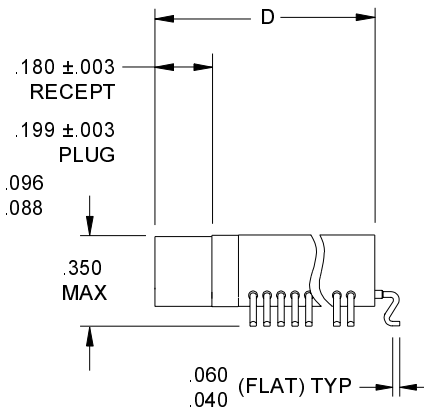
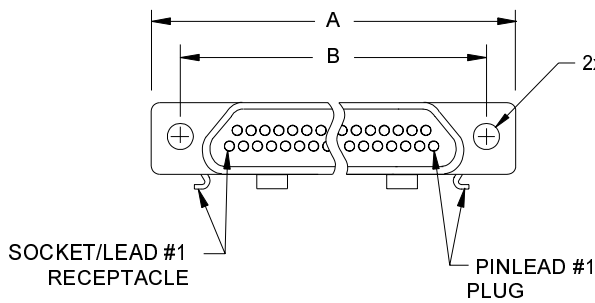
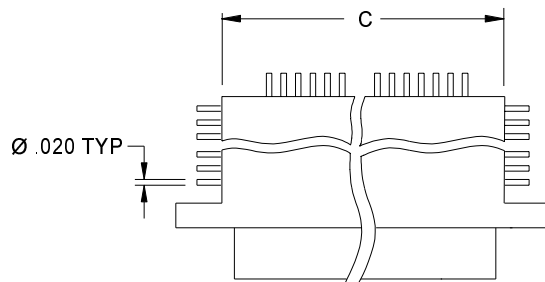
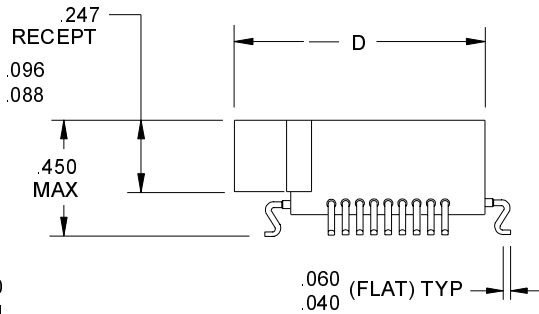
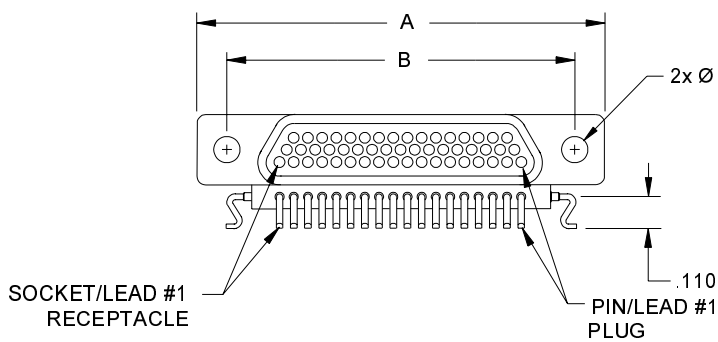


1.2 MICRO CONNECTORS / MOTS

NO. OF CONTACTS	A MAX	B	C MAX	D MAX
15	.935	.715	.550	.620
21	1.085	.865	.700	.720
25	1.185	.965	.800	.770
31	1.335	1.115	.950	.870
37	1.485	1.265	1.100	.920
51	1.438	1.215	--	.980

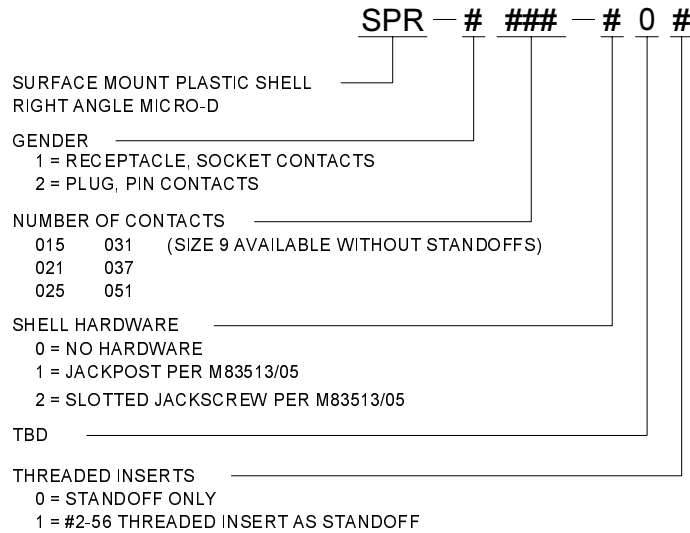


SIZE 15 THRU 37



SIZE 51

CRISTEK INTERCONNECTS, INC. www.cristek.com 1301 S. Lewis St. Anaheim, CA 92805 Phone: (714) 618-2000 FAX: (714) 535-4897	TITLE	DWG. NO.		
	MICRO-D PLASTIC SHELL SURFACE MOUNT RIGHT ANGLE	SPR		REV
	FILENAME	CODE IDENT NO. 67720	SHT 1 OF 4	F
ADS-SPR-1		TOLERANCE: .XXX ±.005 .XX ±.01 ANGLE ±1°		



1. MATERIALS:

INSULATOR / BACKSHELL - POLYPHENYLENE SULFIDE
PER MIL-M-24519 TYPE GST-40F
PIN CONTACT - BERYLLIUM COPPER
SOCKET CONTACT - COPPER ALLOY
LEAD - BRASS

2. FINISH:

CONTACT / LEAD - GOLD PER MIL-G-45204, TYPE II, GRADE C,
CLASS I OVER NICKEL PER QQ-N-290.
(LEADS ARE TYPICALLY HOT TIN DIPPED)

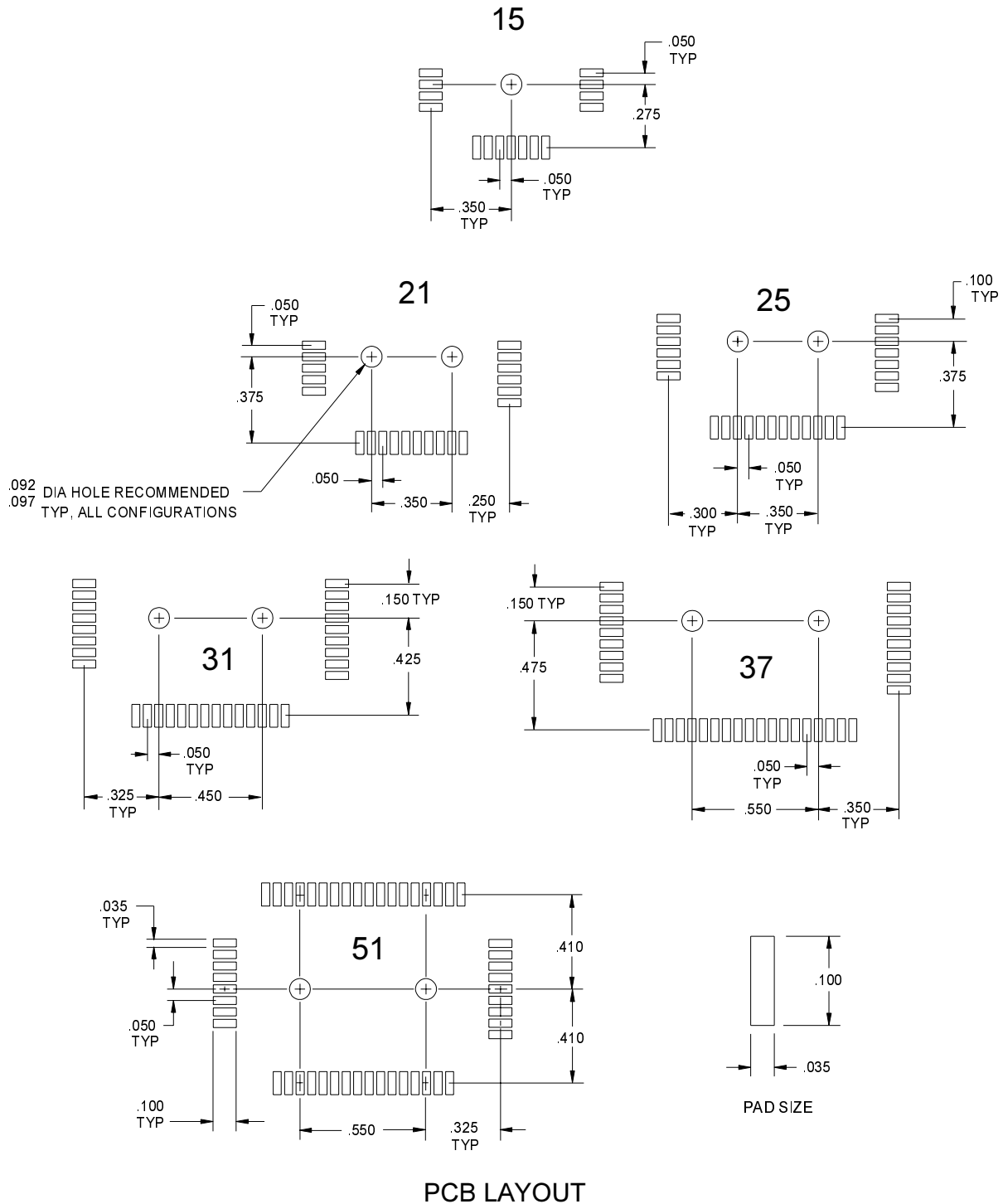
3. SPECIFICATIONS:

CURRENT RATING ----- 3 AMPS MAX
TEMPERATURE RATING ----- -55° C TO +125° C
INSULATION RESISTANCE ----- 5000 MEGOHMS MIN
DWW AT SEA LEVEL ----- 600 VAC
DWW AT 70,000 FT ALTITUDE --- 150 VAC
CONTACT RESISTANCE ----- 8 MILLIOHMS MAX AT 2.5 AMPS
LOW LEVEL CONTACT ----- 10 MILLIOHMS MAX
RESISTANCE
CONTACT RETENTION ----- 5 lb MINIMUM AXIAL LOAD
ENGAGEMENT FORCE ----- 6 oz MAX
SEPARATION FORCE ----- 0.5 oz MIN

4. ADDITIONAL INFORMATION:

DESIGN AND PERFORMANCE IN GENERAL
ACCORDANCE WITH M83513 WHERE APPLICABLE.
CONTACT CRISTEK FOR AVAILABILITY, LATEST
CONFIGURATIONS, HARDWARE OPTIONS,
AND TOOLING UPGRADES IN PROGRESS.

<p>CRISTEK INTERCONNECTS, INC. www.cristek.com 1301 S. Lewis St. Anaheim, CA 92805 Phone: (714) 618-2000 FAX: (714) 535-4897</p>	<p>TITLE</p> <p>MICRO-D PLASTIC SHELL SURFACE MOUNT RIGHT ANGLE</p>	<p>DWG. NO.</p> <p>SPR</p>	
	<p>FILENAME</p> <p>ADS-SPR-2</p>	<p>CODE IDENT NO.</p> <p>67720</p>	<p>SHT 2 OF 4</p>
<p>TOLERANCE: .XXX ±.005 .XX ±.01 ANGLE ±1°</p>			



CRISTEK INTERCONNECTS, INC.
www.cristek.com
1301 S. Lewis St.
Anaheim, CA 92805
Phone: (714) 618-2000
FAX: (714) 535-4897

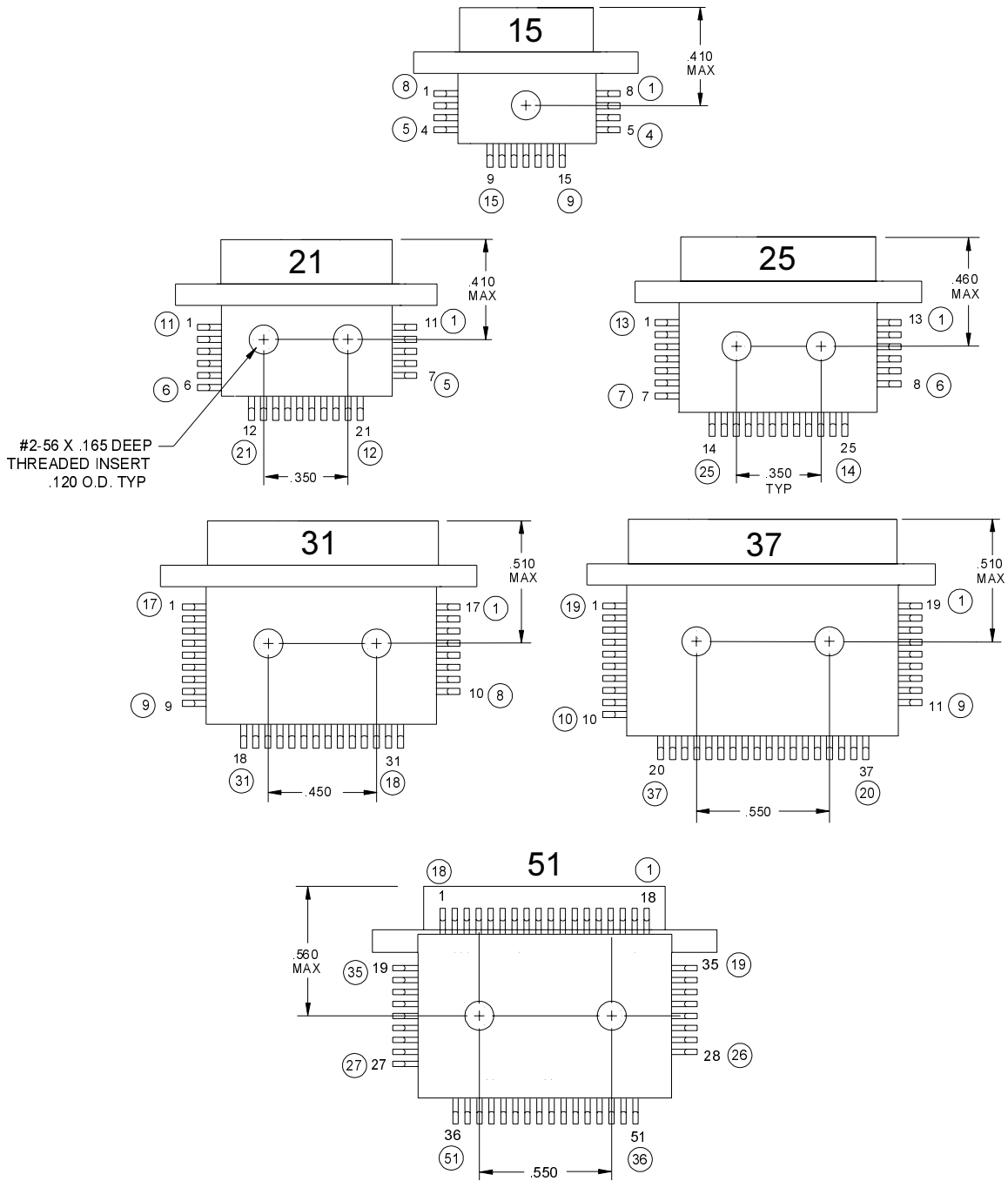
TITLE
**MICRO-D PLASTIC SHELL
SURFACE MOUNT RIGHT ANGLE**

FILENAME
ADS-SPR-3

DWG. NO.
SPR

CODE IDENT NO. 67720	SHT 3 OF 4	REV F
--------------------------------	--------------------------	-----------------

TOLERANCE: .XXX ±.005 .XX ±.01 ANGLE ±1°



BOTTOM VIEW OF CONNECTOR
 RECEPTACLE PIN NO.'S ARE NEXT TO FOOT
 PLUG PIN NO.'S ARE CIRCLED

CRISTEK INTERCONNECTS, INC. www.cristek.com 1301 S. Lewis St. Anaheim, CA 92805 Phone: (714) 618-2000 FAX: (714) 535-4897	TITLE MICRO-D PLASTIC SHELL SURFACE MOUNT RIGHT ANGLE		DWG. NO. SPR	
	FILENAME ADS-SPR-4		CODE IDENT NO. 67720	SHT 4 OF 4 REV F
	TOLERANCE: .XXX ±.005 .XX ±.01 ANGLE ±1°			