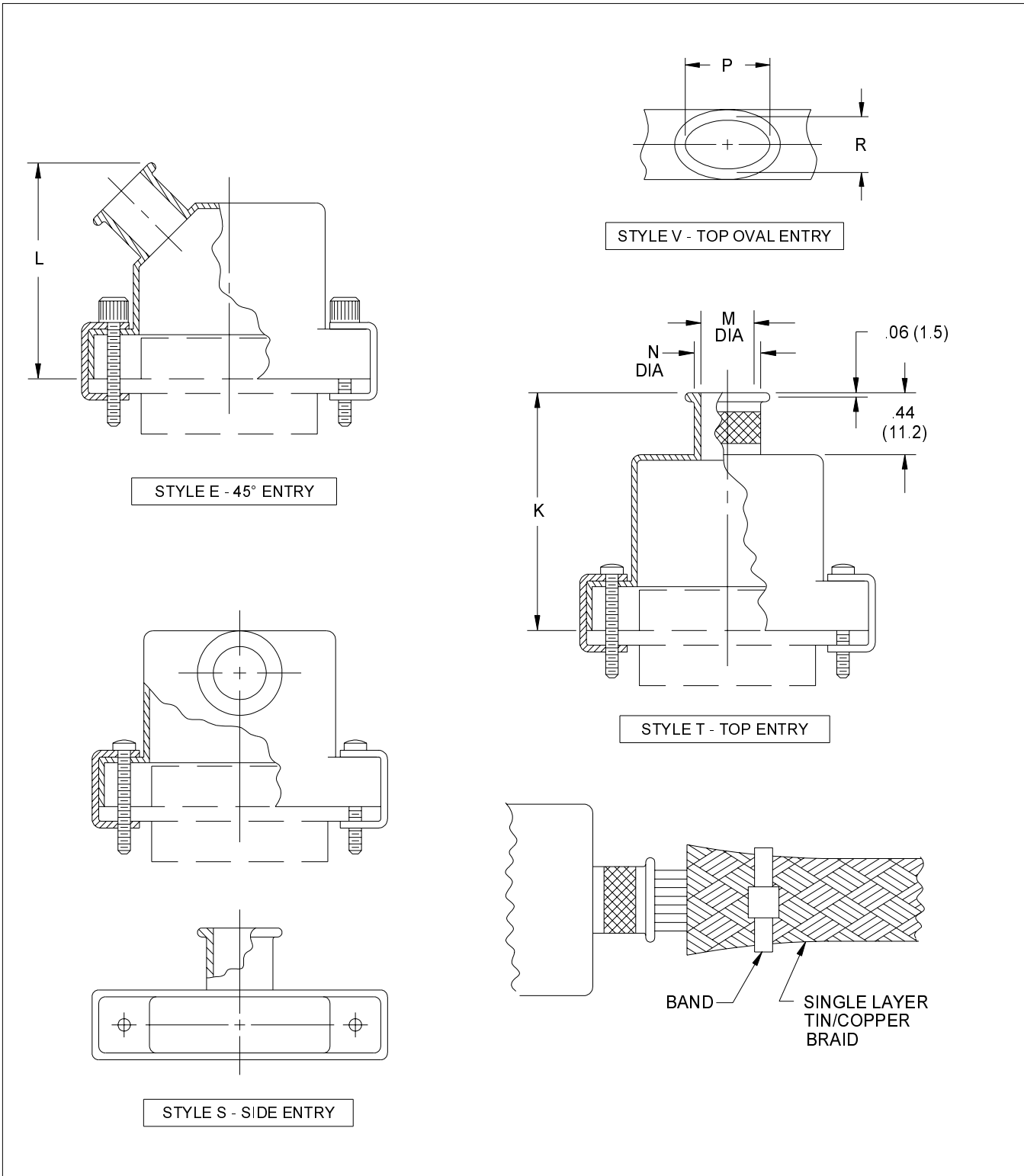


CRISTEK INTERCONNECTS, INC. www.cristek.com 1301 S. Lewis St. Anaheim, CA 92805 Phone: (714) 618-2000 FAX: (714) 535-4897	TITLE	EMI / STRAIN RELIEF MICRO BACKSHELL		DWG. NO.	BSM		
	FILENAME	ADS-BSM-1		CODE IDENT NO.	67720	REV	C
				SHT	1	OF	3
				TOLERANCE:	.XXX ±.005 .XX ±.01 ANGLE ±1°		



CRISTEK INTERCONNECTS, INC. www.cristek.com 1301 S. Lewis St. Anaheim, CA 92805 Phone: (714) 618-2000 FAX: (714) 535-4897	TITLE	EMI / STRAIN RELIEF MICRO BACKSHELL			DWG. NO.	BSM				
	FILENAME	ADS-BSM-2			CODE IDENT NO.	67720	SHT	2 OF 3	REV	C
						TOLERANCE: .XXX ±.005 .XX ±.01 ANGLE ±1°				

TABLE I

SHELL SIZE CODE	A	B	C	D	E	F	G	H	J THREAD
09	.775(19.7)	.36(9.1)	.565(14.4)	.32(8.1)	.435(11.0)	.607(15.4)	.650(16.5)	.154(3.9)	2-56UNC-2
15	.925(23.5)	.36(9.1)	.715(18.2)	.44(11.2)	.440(11.2)	.643(16.3)	.700(17.8)	.154(3.9)	2-56UNC-2
21	1.075(27.3)	.36(9.1)	.865(22.0)	.56(14.2)	.458(11.6)	.677(17.2)	.735(18.7)	.154(3.9)	2-56UNC-2
25	1.175(29.8)	.36(9.1)	.965(24.5)	.62(15.7)	.483(12.3)	.718(18.2)	.800(2.3)	.154(3.9)	2-56UNC-2
31	1.325(33.7)	.36(9.1)	1.115(28.3)	.68(17.3)	.476(12.1)	.726(18.2)	.860(21.8)	.154(3.9)	2-56UNC-2
37	1.475(37.5)	.36(9.1)	1.265(32.1)	.72(18.3)	.478(12.2)	.744(18.9)	.925(23.5)	.154(3.9)	2-56UNC-2
51	1.425(36.2)	.40(1.2)	1.215(3.9)	.75(19.1)	.548(13.9)	.829(21.1)	.975(24.8)	.154(3.9)	2-56UNC-2
100	2.160(54.9)	.45(11.4)	1.800(45.7)	.81(2.6)	.687(17.4)	.984(25.0)	1.050(26.7)	.194(4.9)	4-40UNC-2

TABLE I (CONT'D)

SHELL SIZE	K ±.03 (.8)	L MAX	MAX ENTRY (TABLE 2)
09	.75(19.1)	1.00(25.4)	08
15	.88(22.4)	1.03(26.2)	08
21	1.00(25.4)	1.05(26.7)	08
25	1.06(26.9)	1.09(27.7)	08
31	1.12(28.4)	1.13(28.7)	09
37	1.16(29.5)	1.16(29.5)	09
51	1.19(3.2)	1.25(31.8)	10
100	1.25(31.8)	1.32(33.5)	12

TABLE II

DASH NO.	M ENTRY	N DIAMETER
04	.125 (3.2)	.281 (7.1)
05	.156 (4.0)	.312 (7.9)
06	.188 (4.8)	.344 (8.7)
07	.219 (5.6)	.375 (9.5)
08	.250 (6.4)	.406 (1.3)
09	.281 (7.1)	.437 (11.1)
10	.312 (7.9)	.469 (11.9)
11	.344 (8.7)	.500 (12.7)
12	.375 (9.5)	.531 (13.5)

METRIC DIMENSIONS (mm) ARE INDICATED IN PARENTHESES

NOTE:

ENTRY DIAMETERS DEPICTED IN TABLE II ARE THE LARGEST CIRCULAR ENTRIES POSSIBLE IN A GIVEN SHELL THICKNESS. DEPENDING UPON NUMBER AND SIZE OF CONDUCTORS NEEDED, AN OVAL ENTRY STYLE MAY BE REQUIRED.

CONTACT FACTORY FOR AVAILABILITY.

TABLE III

SYMBOL	QTY	JACKSCREW TYPE
B	(2)	MALE FILLISTER HEAD
H	(2)	MALE HEX SOCKET
F	(2)	FEMALE JACKPOST
FB	(1)	FEMALE JACKPOST,
	(1)	MALE FILLISTER HEAD
FH	(1)	FEMALE JACKPOST
	(1)	MALE HEX SOCKET

TABLE IV

SHELL SIZE	P DIA	R DIA
09	.320	.156
15	.384	.188
21	.448	.219
25	.508	.250
31	.542	.265
37	.572	.281
51	.638	.312
100	.766	.375

BSM # 010 # ### ## ##

MICRO BACKSHELL CONNECTORS (MATE WITH M83513)

CABLE ENTRY STYLE

- T = TOP ENTRY
- V = TOP OVAL ENTRY
- E = 45° ENTRY
- S = SIDE ENTRY

BASIC SERIES

FINISH

- A = CADMIUM, BRIGHT PER QQ-P-416, TYPE I, CLASS 3
- B = CADMIUM, OLIVE DRAB PER QQ-P-416, TYPE I, CLASS 3
- M = ELECTROLESS NICKEL PER AMS 2404C
- T = CADMIUM PLATE PER QQ-P-416, TYPE II CLASS 3 OVER ELECTROLESS NICKEL PER AMS 2404

SHELL SIZE (TABLE I)

JACKSCREW (TABLE III)

ENTRY (TABLE II)

CRISTEK INTERCONNECTS, INC.
www.cristek.com
1301 S. Lewis St.
Anaheim, CA 92805
Phone: (714) 618-2000
FAX: (714) 535-4897

TITLE

EMI / STRAIN RELIEF
MICRO BACKSHELL

DWG. NO.

BSM

CODE IDENT NO.

67720

SHT 3 OF 3

REV

C

FILENAME

ADS-BSM-3

TOLERANCE: .XXX ±.005 .XX ±.01 ANGLE ±1°