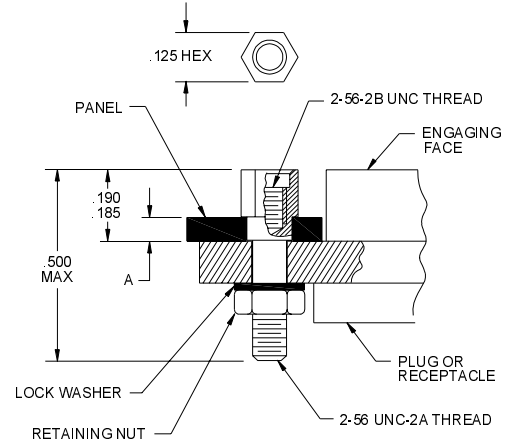
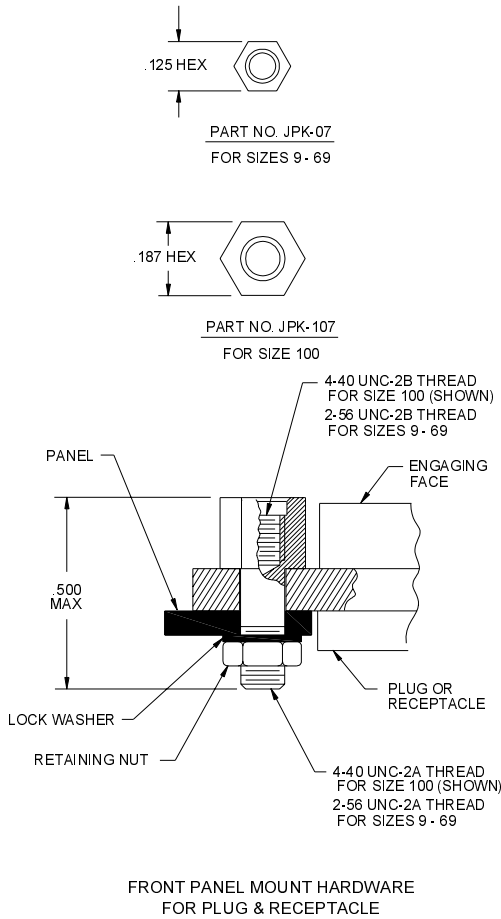


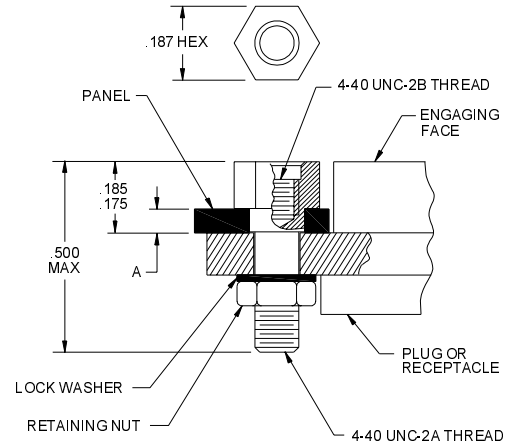
1.3 MICRO CONNECTORS / MICRO D HARDWARE AND ACCESSORIES



PANEL THICKNESS	DIMEN "A"	JACKPOST P/N	JACKPOST KIT P/N ²
3/32	.087	JP-01	JPK-01
1/16	.056	JP-02	JPK-02
3/64	.042	JP-03	JPK-03
1/32	.025	JP-04	JPK-04
.150	.146	JP-05	JPK-05

SIZES 9-69

REAR PANEL MOUNT HARDWARE
FOR PLUG & RECEPTACLE



PANEL THICKNESS	DIMEN "A"	JACKPOST P/N	JACKPOST KIT P/N ²
3/32	.087	JP-101	JPK-101
1/16	.056	JP-102	JPK-102
3/64	.042	JP-103	JPK-103
1/32	.025	JP-104	JPK-104

SIZE 100

REAR PANEL MOUNT HARDWARE
FOR PLUG & RECEPTACLE

1. ALL JACKPOST KITS INCLUDE 2 JACKPOSTS, 2 LOCK WASHERS AND 2 NUTS

² MATERIALS AND PERFORMANCE IN ACCORDANCE WITH M83513/05

CRISTEK INTERCONNECTS, INC.
www.cristek.com
1301 S. Lewis St.
Anaheim, CA 92805
Phone: (714) 618-2000
FAX: (714) 535-4897

TITLE
**JACKPOST HARDWARE
FRONT & REAR PANEL MOUNT**

FILENAME
ADS-JPK-1

DWG. NO.
JPK

CODE IDENT NO. 67720	SHT 1	OF 1	REV F
--------------------------------	-----------------	----------------	-----------------

TOLERANCE: .XXX ±.005 .XX ±.01 ANGLE ±1°