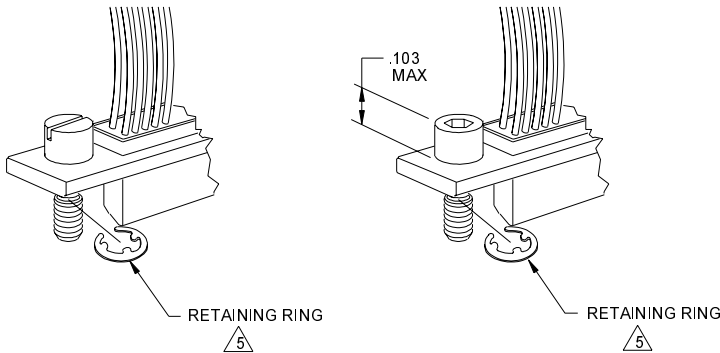
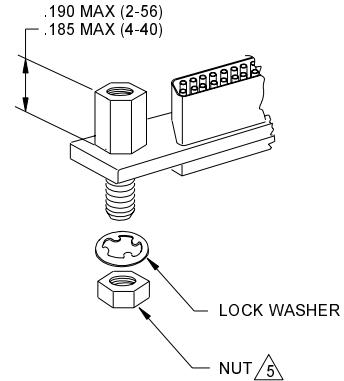


HIGH PROFILE JACKSCREWS



LOW PROFILE JACKSCREWS



JACKPOST KIT

| MILITARY CROSS REFERENCE | |
|--------------------------|----------|
| M83513/05-02 | CIM05-02 |
| M83513/05-03 | CIM05-03 |
| M83513/05-05 | CIM05-05 |
| M83513/05-06 | CIM05-06 |
| M83513/05-12 | CIM05-12 |
| M83513/05-13 | CIM05-13 |
| M83513/05-15 | CIM05-15 |
| M83513/05-16 | CIM05-16 |
| M83513/05-17 | CIM05-17 |

CRISTEK'S P/N EQUIVALENT TO M83513 MIL SPEC.

HARDWARE

THREAD TYPE

- 0 = #2-56 USED ON SIZES 9 THRU 51
- 1 = #4-40 USED ON SIZE 100 ONLY

△ TYPE OF HARDWARE

- 2 = JACKSCREW, LOW PROFILE HEX DRIVE
- 3 = JACKSCREW, HIGH PROFILE HEX DRIVE
- 5 = JACKSCREW, LOW PROFILE SLOTTED
- 6 = JACKSCREW, HIGH PROFILE SLOTTED
- 7 = JACKPOST KIT (WASHER & NUT INCLUDED)

CIM 05 - # #

1. MATERIAL:
JACKPOSTS & JACKSCREWS - 303 STAINLESS STEEL
2. FINISH:
JACKPOSTS & JACKSCREWS - PASSIVATED PER QQ-P-35
3. JACKPOST SETS INCLUDE 2 EACH: JACKPOSTS, LOCK WASHERS, NUTS
JACKSCREW SETS INCLUDE 2 EACH: JACKSCREWS, RETAINING RINGS

△ IF SPECIFIED, HARDWARE ON THE SAME SALES ORDER AS THE CONNECTOR CAN BE INSTALLED BY CRISTEK AT NO CHARGE. HARDWARE IS CERTIFIED TO M83513.

△ RETAINING RINGS, LOCK WASHERS & NUTS PER M83513/05.

6. ADDITIONAL INFORMATION:

OTHER HARDWARE IS ALSO AVAILABLE TO MEET SPECIFIC APPLICATION REQUIREMENTS. SEE HARDWARE APPLICATION NOTES AT THE BACK OF THIS SECTION.

| | | | | |
|--|-------------------|--|-----|-----|
| CRISTEK INTERCONNECTS, INC. www.cristek.com 1301 S. Lewis St. Anaheim, CA 92805 Phone: (714) 618-2000 FAX: (714) 535-4897 | TITLE | DWG. NO. | | |
| | MILITARY HARDWARE | M83513/05 | | |
| | FILENAME | CODE IDENT NO. | SHT | REV |
| ADS-CIM05-1 | 67720 | 1 OF 1 | C | |
| | | TOLERANCE: .XXX ±.005 .XX ±.01 ANGLE ±1° | | |