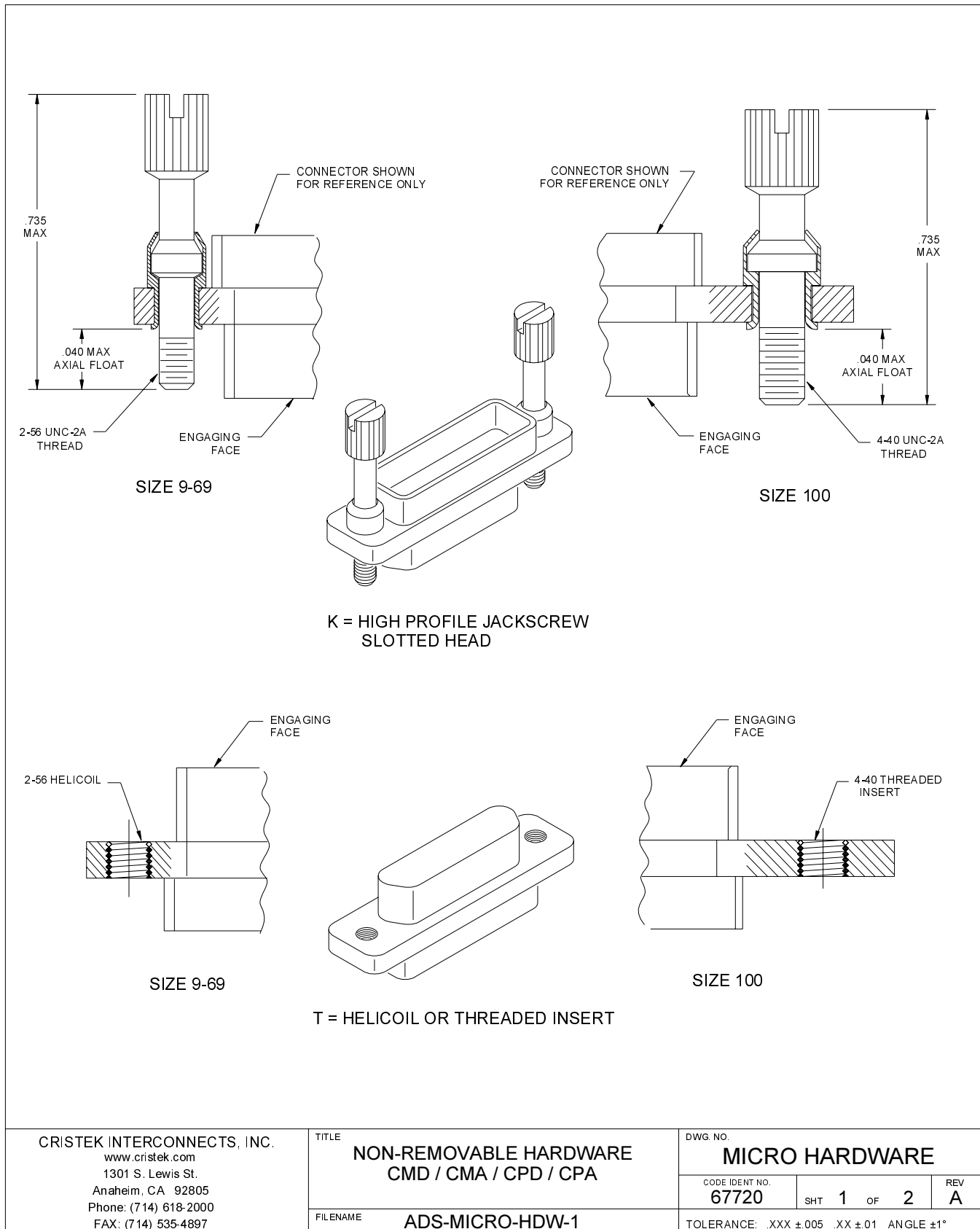
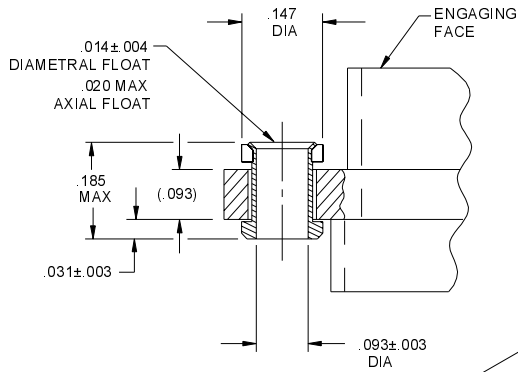
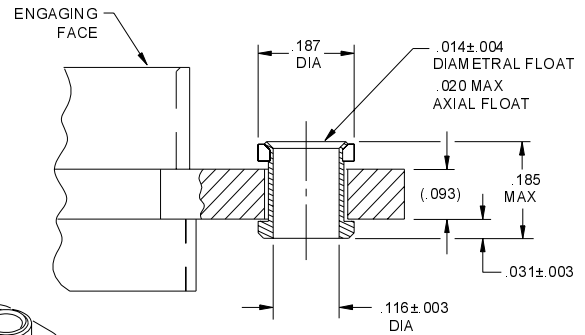


## 1.3 MICRO CONNECTORS / MICRO D HARDWARE AND ACCESSORIES

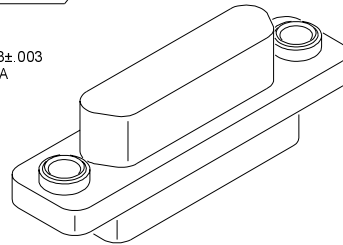




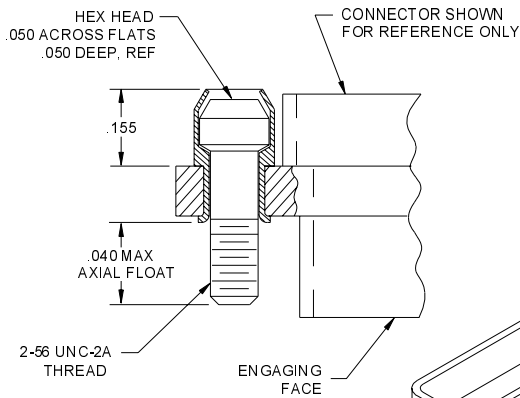
SIZE 9-69



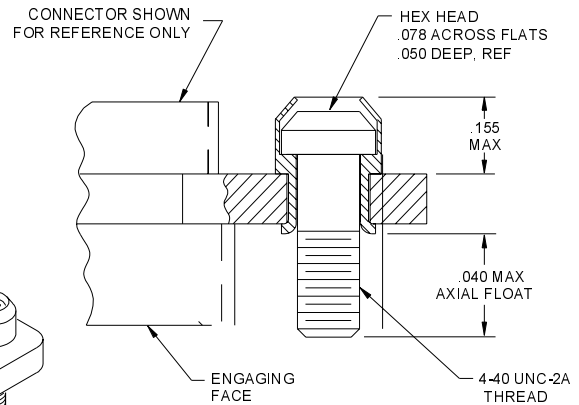
SIZE 100



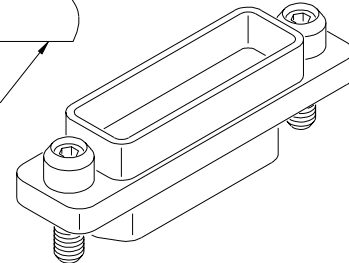
F = FLOAT MOUNT



SIZE 9-69



SIZE 100



L = LOW PROFILE JACKSCREW  
ALLEN HEAD

1. MATERIALS AND PERFORMANCE IN ACCORDANCE WITH M83513/05  
AS APPLICABLE

CRISTEK INTERCONNECTS, INC. www.cristek.com 1301 S. Lewis St. Anaheim, CA 92805 Phone: (714) 618-2000 FAX: (714) 535-4897	TITLE <b>NON-REMOVABLE HARDWARE CMD / CMA / CPD / CPA</b>		DWG. NO. <b>MICRO HARDWARE</b>	
	FILENAME <b>ADS-MICRO-HDW-2</b>		CODE IDENT NO. <b>67720</b>	SHT <b>2</b> OF <b>2</b> REV <b>A</b>
	TOLERANCE: .XXX ±.005 .XX ±.01 ANGLE ±1°			