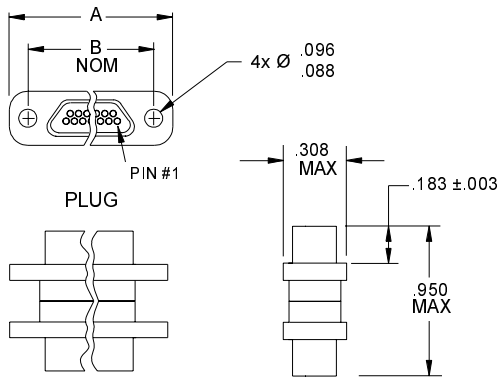
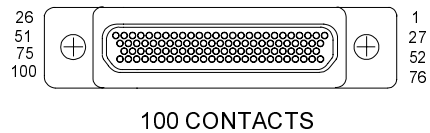
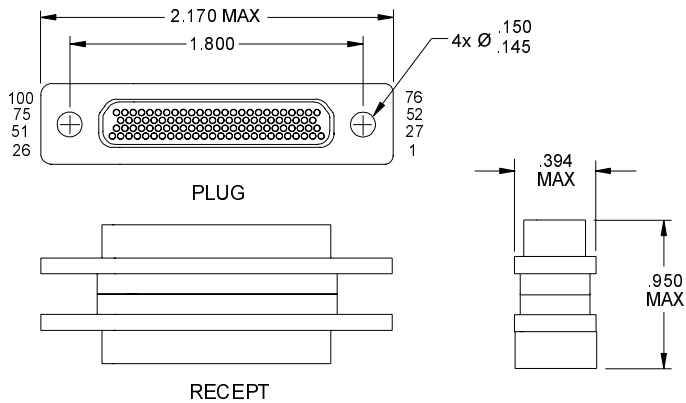
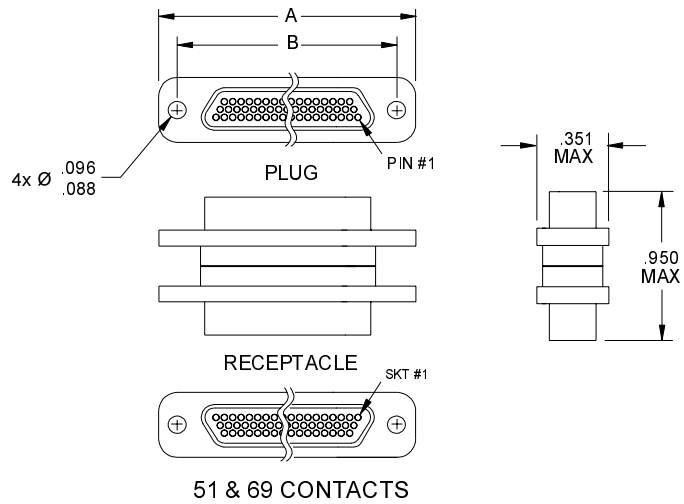
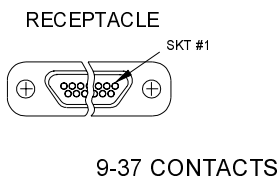


## 1.3 MICRO CONNECTORS / MICRO D HARDWARE AND ACCESSORIES



NO. OF CONTACTS	A MAX	B
9	.785	.565
15	.935	.715
21	1.085	.865
25	1.185	.965
31	1.335	1.115
37	1.485	1.265
51	1.435	1.215
69	1.735	1.515



CRISTEK INTERCONNECTS, INC.  
 www.cristek.com  
 1301 S. Lewis St.  
 Anaheim, CA 92805  
 Phone: (714) 618-2000  
 FAX: (714) 535-4897

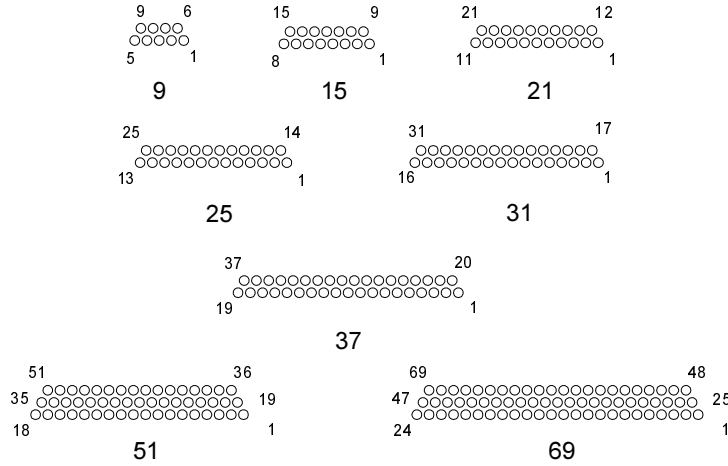
TITLE  
**MICRO-D METAL SHELL  
 CONNECTOR SAVER**

FILENAME  
**ADS-MSAV-1**

DWG. NO.  
**MSAV**

CODE IDENT NO. <b>67720</b>	SHT <b>1</b> OF <b>2</b>	REV <b>C</b>
--------------------------------	--------------------------	-----------------

TOLERANCE: .XXX ±.005 .XX ±.01 ANGLE ±1°



MATING FACE PLUG  
MIRROR IMAGE FOR RECEPTACLE

**MSAV - # - # - # - #**

- MICRO-D METAL SHELL CONNECTOR SAVER
- NUMBER OF CONTACTS
  - A = 9      D = 25      G = 51
  - B = 15     E = 31      H = 100
  - C = 21     F = 37      J = 69
- SHELL HARDWARE
  - 0 = NONE
  - 1 = JACKPOST / RECEPTACLE SIDE
  - 2 = JACKPOST / PLUG SIDE
- SHELL FINISH
  - A = CADMIUM
  - B = NICKEL
- CUSTOM OPTIONS  
(CONTACT CRISTEK FOR YOUR CUSTOM NEEDS)

**1. MATERIALS:**

SHELL - ALUMINUM PER QQ-A-200/8, QQ-A-250/11, OR QQ-A-591  
 INSULATOR - DIALYL PHTHALATE PER MIL-M-14G, TYPE SDG-F  
 PIN CONTACT - BERYLLIUM COPPER  
 SOCKET CONTACT - COPPER ALLOY  
 INTERFACIAL SEAL - FLUOROSILICONE BLEND

**2. FINISH:**

SHELL - CADMIUM PER QQ-P-416, TYPE II, CLASS 3 OVER  
 ELECTROLESS NICKEL PER AMS 2404 OR  
 ELECTROLESS NICKEL PER AMS 2404  
 CONTACT - GOLD PER MIL-C-45204, TYPE II, GRADE C,  
 CLASS I OVER NICKEL PER QQ-N-290.

**3. SPECIFICATIONS:**

CURRENT RATING ----- 3 AMPS MAX  
 TEMPERATURE RATING ----- -55° C TO +125° C  
 INSULATION RESISTANCE ----- 5000 MEGOHMS MIN  
 DWV AT SEA LEVEL ----- 600 VAC  
 DWV AT 70,000 FT ALTITUDE --- 150 VAC  
 CONTACT RESISTANCE ----- 8 MILLIOHMS MAX AT 2.5 AMPS  
 LOW LEVEL CONTACT ----- 10 MILLIOHMS MAX  
 RESISTANCE  
 CONTACT RETENTION ----- 5 lb MINIMUM AXIAL LOAD  
 ENGAGEMENT FORCE ----- 6 oz MAX  
 SEPARATION FORCE ----- 0.5 oz MIN

**4. ADDITIONAL INFORMATION:**

DESIGN AND PERFORMANCE IN GENERAL  
 ACCORDANCE WITH M83513.

CRISTEK INTERCONNECTS, INC. www.cristek.com 1301 S. Lewis St. Anaheim, CA 92805 Phone: (714) 618-2000 FAX: (714) 535-4897	TITLE	DWG. NO. <b>MSAV</b>				
		MICRO-D METAL SHELL CONNECTOR SAVER		CODE IDENT NO. <b>67720</b>	SHT <b>2</b> OF <b>2</b>	REV <b>C</b>
	FILENAME	<b>ADS-MSAV-2</b>		TOLERANCE: .XXX ±.005 .XX ±.01 ANGLE ±1°		