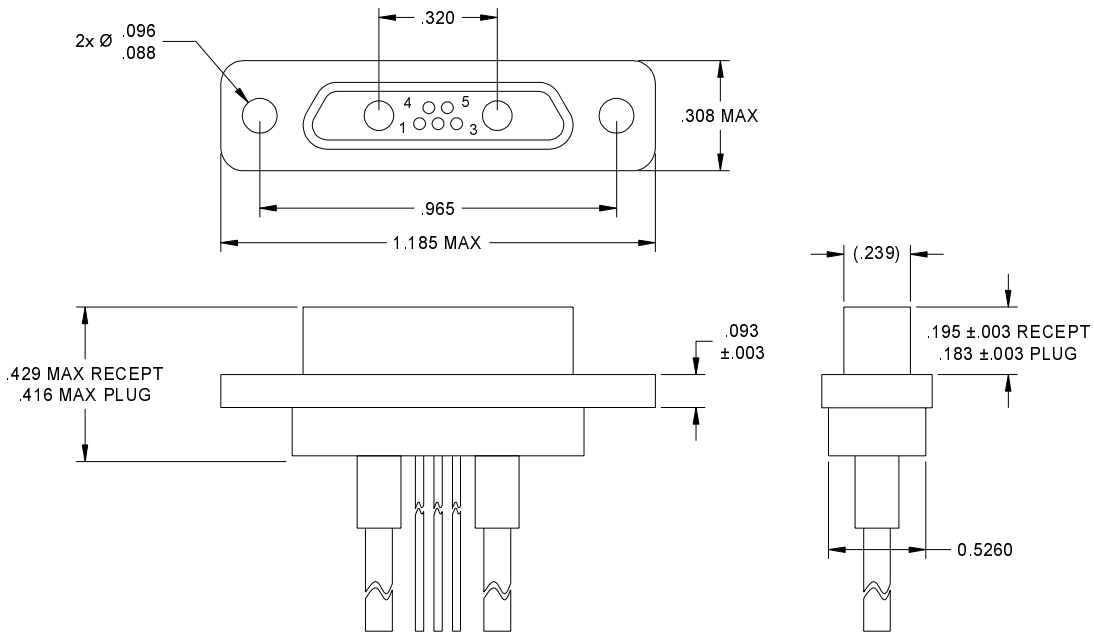
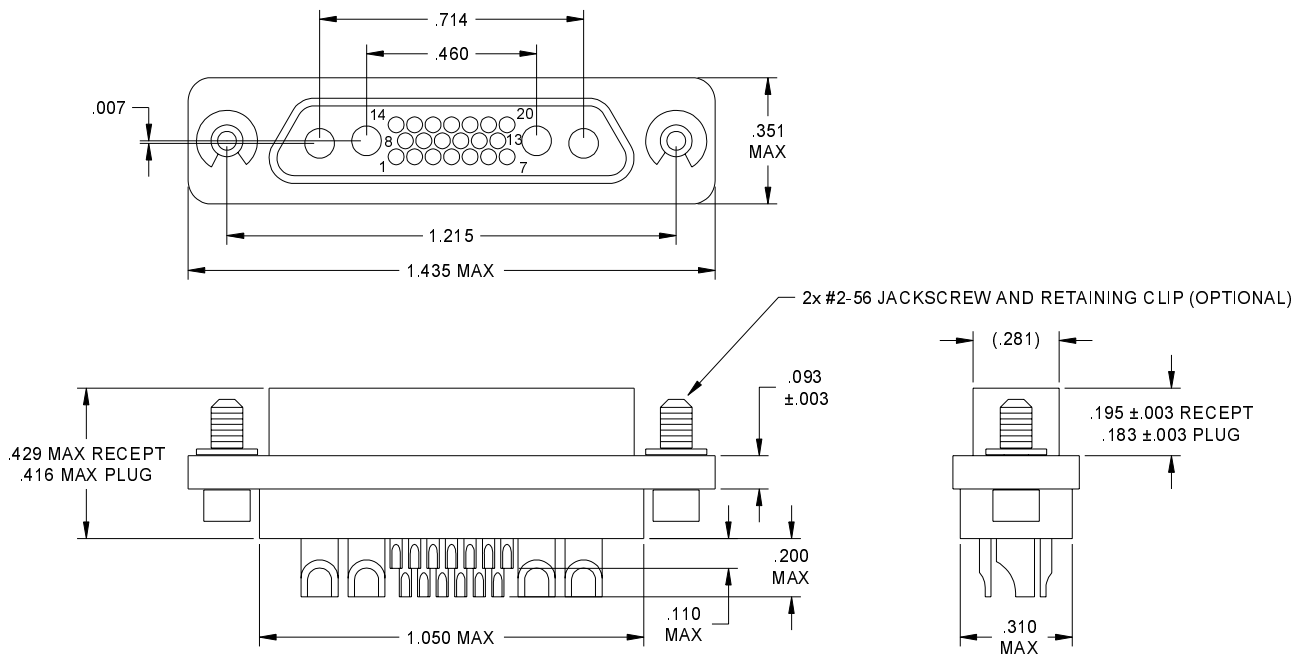


1.5 MICRO CONNECTORS / MISCELLANEOUS DESIGNS



05C2 & 05P2 CONTACTS (25 MICRO CONTACT SHELL)
(PREWIRED MICRO/COAX CONTACT CONFIGURATION SHOWN)



20C4 & 20P4 CONTACTS (51 MICRO CONTACT SHELL)
(SOLDER CUP MICRO/POWER CONTACT CONFIGURATION SHOWN)

CRISTEK INTERCONNECTS, INC. www.cristek.com 1301 S. Lewis St. Anaheim, CA 92805 Phone: (714) 618-2000 FAX: (714) 535-4897	TITLE COMBO MICRO AND COAXIAL CONTACTS OR MICRO AND POWER CONTACTS		DWG. NO. CCD	
	FILENAME ADS-CCD-1		CODE IDENT NO. 67720	SHT 1 OF 2
			REV A	TOLERANCE: .XXX ±.005 .XX ±.01 ANGLE ±1°

PLUG MATING FACE

RECEPTACLE MATING FACE

05C2 & 05P2

20C4 & 20P4

CCD - # ##### - # # # # # # # # - #

CRISTEK COMBO CONNECTOR

GENDER
P = PLUG, PIN CONTACTS
S = RECEPTACLE, SOCKET CONTACTS

NUMBER / TYPE OF CONTACTS
MICRO / COAXIAL MICRO / POWER
05C2 20C4 05P2 20P4

HARDWARE
0 = NONE
X = POLARIZING
(ADD POSITION CODE AT END OF P/N)

FACTORY INSTALLED (NON-REMOVABLE)
F = FLOAT MOUNT
J = HIGH PROFILE HEX DRIVE JACKSCREW
K = HIGH PROFILE SLOTTED JACKSCREW
L = LOW PROFILE HEX DRIVE JACKSCREW
T = THREADED INSERT

M83513 HARDWARE - FACTORY INSTALLED
2 = LOW PROFILE HEX DRIVE *
3 = HIGH PROFILE HEX DRIVE
5 = LOW PROFILE SLOTTED *
6 = HIGH PROFILE SLOTTED
7 = JACKPOST KIT *

SHELL FINISH
A = CADMIUM
B = NICKEL
C = ANODIZE
D = CHEM FILM
E = BLACK CADMIUM
F = FUSED TIN PLATE
G = GOLD

TERMINATION
0000 - SOLDER CUP *
WIRE TYPE
STRANDED
H = HARNESS (MIL-W-16878/4)
M = MILITARY (MIL-W-22759/11) *
S = SPACE (MIL-W-22759/33)
SOLID
G = GOLD PLATED COPPER
T = TIN PLATED COPPER

HARDWARE KEYING POSITION
IF APPLICABLE (i.e. -20)
OR -1 = HARDWARE TO BE KITTED WITH
CONNECTOR (NOT INSTALLED)

WIRE LENGTH **
STRANDED
01 = 6 INCHES
02 = 12 INCHES
03 = 18 INCHES
04 = 24 INCHES
05 = 36 INCHES
06 = 72 INCHES
SOLID COPPER
25 AWG
01 = 0.5 INCH
02 = 1.0 INCH
03 = 0.25 INCH
24 AWG
11 = 0.5 INCH
12 = 1.0 INCH
13 = 0.25 INCH

WIRE COLOR/SIZE
0 = WHITE 26 AWG STRANDED *
1 = YELLOW 26 AWG STRANDED
2 = 10 SOLID COLORS REPEATED *
26 AWG STRANDED
3 = FULL COLOR CODE 26 AWG STRANDED
9 = SOLID COPPER *

COAX / POWER WIRE TYPE AND SIZE
0 = WHITE 16 AWG STRANDED
1 = YELLOW 16 AWG STRANDED
3 = FULL COLOR CODE 26 AWG STRANDED
5 = MIL-C-17/93-RG178 (COAX)
6 = MIL-C-17/93-RG196 (COAX)
7 = MIL-C-17/94-RG179 (COAX)
8 = MIL-C-17/113-RG316 (COAX)
9 = SOLID COPPER *

*** = MOST COMMONLY USED & STOCKED WIRE TYPE AND HARDWARE OPTIONS**

**** = COAX AND POWER WIRES WILL HAVE THE SAME LENGTHS AS THOSE FOR THE MICRO CONTACTS.**

1. MATERIALS:
INSULATOR - DIALLYL PHTHALATE PER MIL-M-14
POLYPHENYLENE SULFIDE, TYPE GST-40F, IN
ACCORDANCE WITH MIL-M-24519 OR EQUIVALENT.
PIN CONTACT - BERYLLIUM COPPER
SOCKET CONTACT - COPPER ALLOY
INTERFACIAL SEAL - FLUOROSILICONE BLEND

2. FINISH:
CONTACT - GOLD PER MIL-G-45204, TYPE II, GRADE C,
CLASS I OVER NICKEL PER QQ-N-290.

3. SPECIFICATIONS:
CURRENT RATING ----- 3 AMPS MAX
TEMPERATURE RATING ----- -55° C TO +125° C
INSULATION RESISTANCE ----- 5000 MEGOHMS MIN
DWW AT SEA LEVEL ----- 600 VAC
DWW AT 70,000 FT ALTITUDE --- 150 VAC
CONTACT RESISTANCE ----- 8 MILLIOHMS MAX AT 2.5 AMPS
LOW LEVEL CONTACT ----- 10 MILLIOHMS MAX
RESISTANCE
CONTACT RETENTION ----- 5 lb MINIMUM AXIAL LOAD
ENGAGEMENT FORCE ----- 6 oz MAX
SEPARATION FORCE ----- 0.5 oz MIN

4. ADDITIONAL INFORMATION:
DESIGN AND PERFORMANCE IN GENERAL
ACCORDANCE WITH M83513 WHERE APPLICABLE.

<p>CRISTEK INTERCONNECTS, INC. www.cristek.com 1301 S. Lewis St. Anaheim, CA 92805 Phone: (714) 618-2000 FAX: (714) 535-4897</p>	<p>TITLE</p> <p>COMBO MICRO AND COAXIAL CONTACTS OR MICRO AND POWER CONTACTS</p>	<p>DWG. NO.</p> <p>CCD</p>	
	<p>FILENAME</p> <p>ADS-CCD-2</p>	<p>CODE IDENT NO.</p> <p>67720</p>	<p>SHT</p> <p>2 OF 2</p>
<p>TOLERANCE: .XXX ±.005 .XX ±.01 ANGLE ±1°</p>			