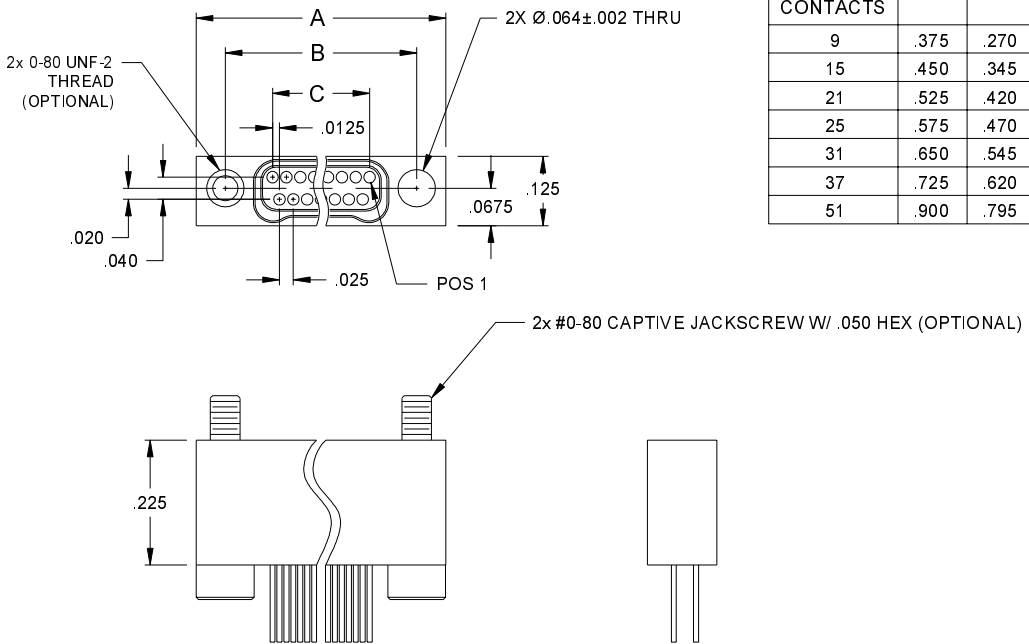


### PLUG

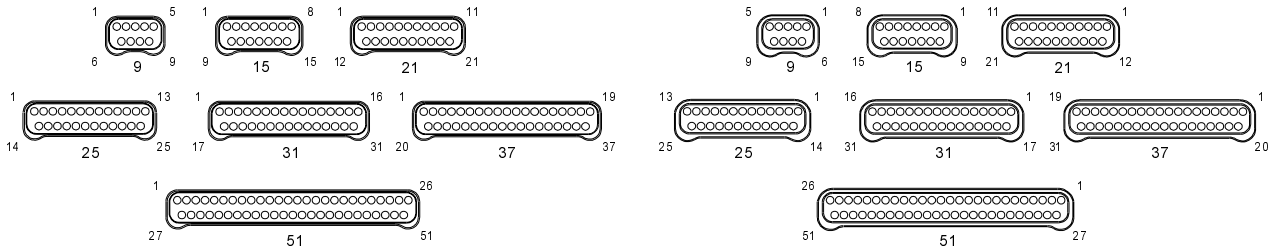


### RECEPTACLE

NO. OF CONTACTS	A	B	C MAX
9	.375	.270	.100
15	.450	.345	.175
21	.525	.420	.250
25	.575	.470	.300
31	.650	.545	.375
37	.725	.620	.450
51	.900	.795	.625

CRISTEK INTERCONNECTS, INC. www.cristek.com 1301 S. Lewis St. Anaheim, CA 92805 Phone: (714) 618-2000 FAX: (714) 535-4897	FILENAME <b>NANO METAL SHELL                  DUAL ROW                  WITH LEADS</b>	DWG. NO. <b>CMN2</b>		
	DWG. NO. <b>ADS-CMN2-1</b>	CODE IDENT NO. <b>67720</b>	SHT <b>1</b> OF <b>2</b>	REV <b>A</b>
		TOLERANCE: .XXX ±.005 .XX ±.01 ANGLE ±1°		

## 2.2 NANO CONNECTORS / MOTS



PLUG FACE

RECEPTACLE FACE

CMN 2 - ## # - # # # # ##

NANO METAL SHELL WITH LEADS

BODY STYLE  
1 = DUAL ROW

NUMBER OF CONTACTS  
09 25 51  
15 31  
21 37

GENDER  
P = PLUG, PIN CONTACTS  
S = RECEPTACLE, SOCKET CONTACTS

HARDWARE  
0 = NONE (THRU HOLE ONLY)  
J = JACKSCREW (NON-REMOVABLE)  
T = THREADED INSERT (NON-REMOVABLE)

SHELL FINISH  
A = CADMIUM  
B = NICKEL  
G = GOLD

WIRE LENGTH  
STRANDED

01 = 6 INCHES  
02 = 12 INCHES  
03 = 18 INCHES  
04 = 24 INCHES  
05 = 36 INCHES  
06 = 72 INCHES

SOLID COPPER  
30 AWG

01 = 0.5 INCH  
02 = 1.0 INCH  
03 = 0.25 INCH

WIRE COLOR/SIZE

0 = WHITE 32 AWG STRANDED \*  
1 = YELLOW 32 AWG STRANDED  
2 = 10 SOLID COLORS REPEATED \*  
32 AWG STRANDED  
3 = FULL COLOR CODE 32 AWG STRANDED  
9 = SOLID COPPER 30 AWG \*

TERMINATION

WIRE TYPE

STRANDED

H = HARNESS (MIL-W-16878/6) \*

SOLID

G = GOLD PLATED COPPER

T = TIN PLATED COPPER

\* = MOST COMMONLY USED & STOCKED WIRE TYPE AND HARDWARE OPTIONS

1. MATERIALS:

SHELL - ALUMINUM PER QQ-A-200/8, QQ-A-250/11, OR QQ-A-591  
INSULATOR - LIQUID CRYSTAL POLYMER OR POLYPHENYLENE  
SULFIDE PER MIL-M-24519  
CONTACT - BERYLLIUM COPPER

2. FINISH:

SHELL - CADMIUM PER QQ-P-416, TYPE II, CLASS 3 OVER  
ELECTROLESS NICKEL PER AMS 2404  
OR ELECTROLESS NICKEL PER AMS 2404.  
CONTACT - GOLD PER MIL-G-45204, TYPE II, GRADE C,  
CLASS I OVER NICKEL PER QQ-N-290.

3. SPECIFICATIONS:

CURRENT RATING ..... 1 AMP MAX  
TEMPERATURE RATING ..... -55° C TO +125° C  
INSULATION RESISTANCE ..... 5000 MEGOHMS  
DWV AT SEA LEVEL ..... 250 VAC  
DWV AT 70,000 FT ALTITUDE --- 100 VAC  
CONTACT RESISTANCE ..... 30 mV DROP @ 1 a, 10 mA  
(BASED ON SOLID WIRE)  
CONTACT RETENTION ..... 2 LBS AXIAL LOAD  
ENGAGEMENT FORCE ..... 5 oz MAX  
SEPARATION FORCE ..... 0.4 oz MIN

4. ADDITIONAL INFORMATION:

FOR OTHER TERMINATIONS, CONTACT CRISTEK.

CRISTEK INTERCONNECTS, INC. www.cristek.com 1301 S. Lewis St. Anaheim, CA 92805 Phone: (714) 618-2000 FAX: (714) 535-4897	FILENAME <b>NANO METAL SHELL                  DUAL ROW                  WITH LEADS</b>	DWG. NO. <b>CMN2</b>		
	DWG. NO. <b>ADS-CMN2-2</b>	CODE IDENT NO. <b>67720</b>	SHT <b>2</b> OF <b>2</b>	REV <b>A</b>
		TOLERANCE: .XXX ±.005 .XX ±.01 ANGLE ±1°		