

FMC — ## # # # # — # ##

CRISTEK FLANGE MOUNT METAL CIRCULAR CONNECTOR

NUMBER OF CONTACTS
07, 55, 85

SHELL & CONTACT TYPE CODE
D = DIAMOND FLANGE REAR PANEL MOUNTING RECEPTACLE (SOCKET CONTACTS)
S = SQUARE FLANGE REAR PANEL MOUNTING RECEPTACLE (SOCKET CONTACTS)
P = PLUG (PIN CONTACTS)

SHELL MATERIAL
B = BRASS (REQUIRES PLATING)
S = STAINLESS STEEL (REQUIRES PASSIVATION)

SHELL FINISH
B = ELECTROLESS NICKEL (PREFERRED PLATING)
Y = YELLOW CHROMATE CADMIUM OVER NICKEL PLATE
O = OLIVE DRAB CADMIUM OVER NICKEL PLATE
P = PASSIVATION

TERMINATION

WIRE TYPE
STRANDED
H = HARNESS (MIL-W-16878/4)
M = MILITARY (MIL-W-22759/11) *
S = SPACE (MIL-W-22759/33)
SOLID
G = GOLD PLATED COPPER
T = TIN PLATED COPPER

WIRE LENGTH
STRANDED
01 = 6 INCHES
02 = 12 INCHES
03 = 18 INCHES
04 = 24 INCHES
05 = 36 INCHES
06 = 72 INCHES
SOLID COPPER
25 AWG
01 = 0.5 INCH
02 = 1.0 INCH
03 = 0.25 INCH

WIRE COLOR/SIZE
0 = WHITE 26 AWG STRANDED *
1 = YELLOW 26 AWG STRANDED
2 = 10 SOLID COLORS REPEATED *
26 AWG STRANDED
3 = FULL COLOR CODE 26 AWG STRANDED
9 = SOLID COPPER *

* = MOST COMMONLY USED & STOCKED WIRE TYPE

1. MATERIALS:

SHELL, COUPLING NUT, AND JAM NUT - BRASS OR STAINLESS STEEL
INSERT - REINFORCED THERMOPLASTIC, THERMOSET, OR EPOXY RESIN DIELECTRIC PLASTICS
PIN CONTACT - BERYLLIUM COPPER
SOCKET CONTACT - COPPER ALLOY

2. FINISH:

BRASS:
SHELL, COUPLING NUT, AND JAM NUT - ELECTROLESS NICKEL (PREFERRED), YELLOW CADMIUM OVER NICKEL, OR OLIVE CADMIUM OVER NICKEL

STAINLESS STEEL:
SHELL, COUPLING NUT, AND JAM NUT - PASSIVATION
CONTACTS - GOLD PLATE

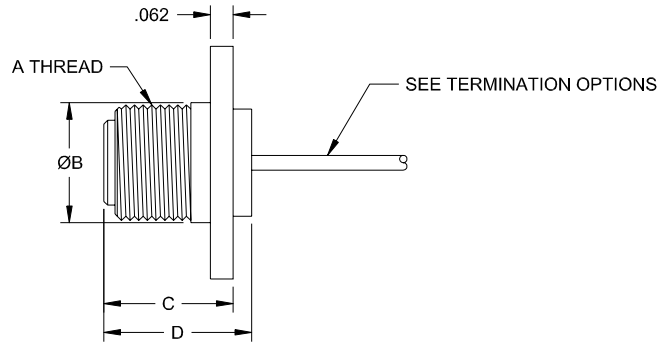
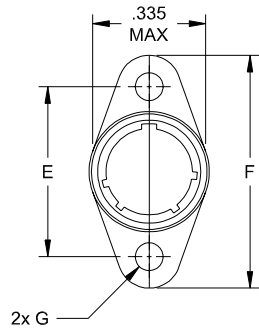
3. SPECIFICATIONS:

CURRENT RATING 3 AMPS MAX
TEMPERATURE RATING -55° C TO +125° C
INSULATION RESISTANCE 5000 MEGOHMS MIN
DWV AT SEA LEVEL 600 VAC
DWV AT 70,000 FT ALTITUDE... 150 VAC
CONTACT RESISTANCE 8 MILLIOHMS MAX AT 2.5 AMPS
LOW LEVEL CONTACT 10 MILLIOHMS MAX RESISTANCE
CONTACT RETENTION 5 lb MINIMUM AXIAL LOAD
ENGAGEMENT FORCE 6 oz MAX
SEPARATION FORCE 0.5 oz MIN

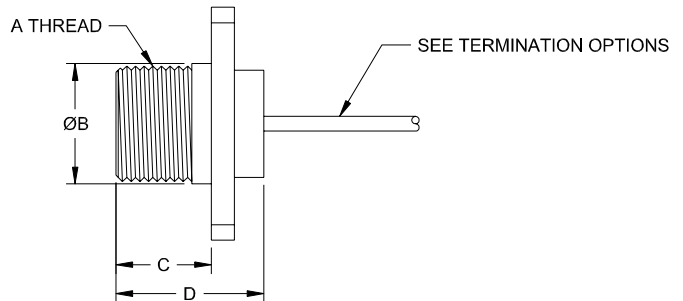
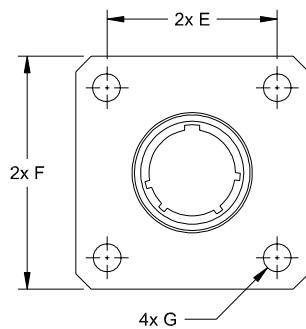
4. ADDITIONAL INFORMATION:

DESIGN AND PERFORMANCE IN GENERAL ACCORDANCE WITH M83513
FOR OTHER TERMINATIONS, CONTACT CRISTEK.

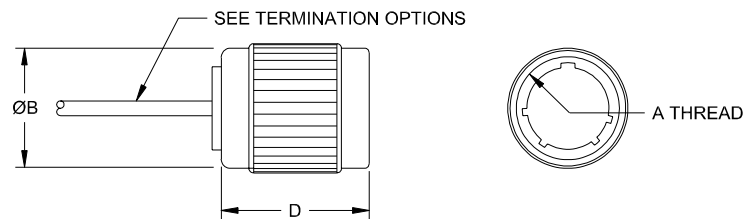
CRISTEK INTERCONNECTS, INC. www.cristek.com 1301 S. Lewis St. Anaheim, CA 92805 Phone: (714) 618-2000 FAX: (714) 535-4897	TITLE FLANGE MOUNT CIRCULAR MICROMINIATURE METAL SHELL	DWG. NO. FMC	
	FILENAME ADS-FMC-1	CODE IDENT NO. 67720	SHT 1 OF 3
TOLERANCE: .XXX ±.005 .XX ±.01 ANGLE ±1°			



DIAMOND FLANGE REAR PANEL MOUNTING RECEPTACLE (TYPE D)



SQUARE FLANGE REAR PANEL MOUNTING RECEPTACLE (TYPE S)



PLUG (TYPE P)

SHELL SIZE	A THREAD	ØB	C MAX	D MAX	E	F MAX	ØG ±.003
7	.3125-24UNF-2A	.325	.320	.400	.460	.630	.078
55	.625-24UNEF-2A	.625	.440	.490	.580	.760	.091
85	.6875-24UNEF-2A	.745	.440	.490	.674	.845	.091

CRISTEK INTERCONNECTS, INC.
 www.cristek.com
 1301 S. Lewis St.
 Anaheim, CA 92805
 Phone: (714) 618-2000
 FAX: (714) 535-4897

TITLE
**FLANGE MOUNT CIRCULAR
 MICROMINIATURE
 METAL SHELL**

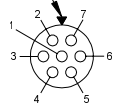
FILENAME
ADS-FMC-2

DWG. NO.
FMC

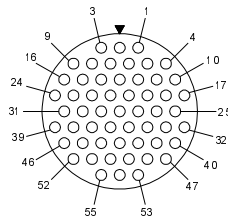
CODE IDENT NO. 67720	SHT 2 OF 3	REV A
--------------------------------	--------------------------	-----------------

TOLERANCE: .XXX ±.005 .XX ±.01 ANGLE ±1°

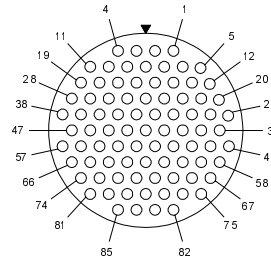
MASTER KEY (TYPICAL)



7 CONTACTS



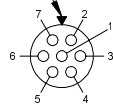
55 CONTACTS



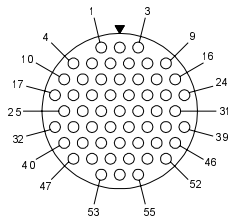
85 CONTACTS

SOCKET INSERT MATING FACE (RECEPTACLE)

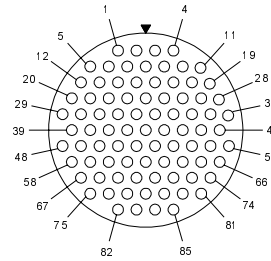
MASTER KEY (TYPICAL)



7 CONTACTS



55 CONTACTS



85 CONTACTS

PIN INSERT MATING FACE (PLUG)

CRISTEK INTERCONNECTS, INC.
www.cristek.com
1301 S. Lewis St.
Anaheim, CA 92805
Phone: (714) 618-2000
FAX: (714) 535-4897

TITLE
**FLANGE MOUNT CIRCULAR
MICROMINIATURE
METAL SHELL**

FILENAME
ADS-FMC-3

DWG. NO.
FMC

CODE IDENT NO. 67720	SHT 3 OF 3	REV A
--------------------------------	--------------------------	-----------------

TOLERANCE: .XXX ±.005 .XX ±.01 ANGLE ±1°