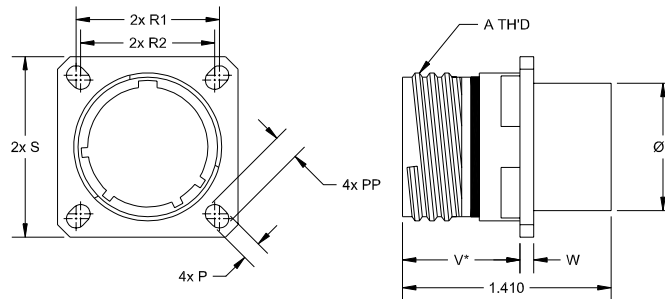


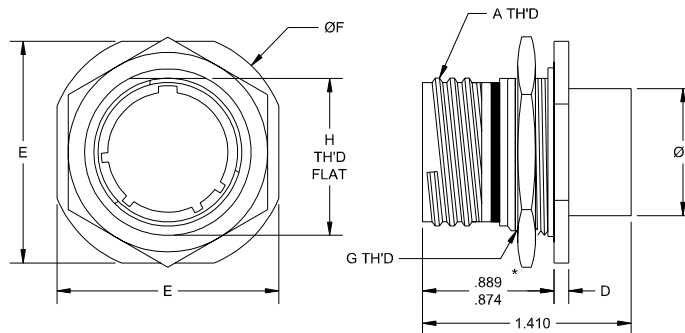
<p>HDC - # # # - # # # ## #</p> <p>CRISTEK HIGH-DENSITY MICRO/NANO CIRCULAR CONNECTOR</p> <p>SHELL STYLE (FROM SERIES III, M38999)</p> <p>T = WALL MOUNTING RECEPTACLE, TRIPLE START THREAD (SEE SHT 2)</p> <p>V = JAM NUT MOUNTING RECEPTACLE, TRIPLE START THREAD (SEE SHT 2)</p> <p>P = PLUG, TRIPLE START THREAD (SEE SHT 3) TRIPLE START THREAD</p> <p>SHELL FINISH</p> <p>B = ELECTROLESS NICKEL (PREFERRED PLATING)</p> <p>Y = YELLOW CHROMATE CADMIUM OVER NICKEL</p> <p>O = OLIVE DRAB CADMIUM OVER NICKEL PLATE</p> <p>SIZE CODE (SEE SHEET 3 FOR ARRANGEMENTS)</p> <p>1 = SIZE 9 SHELL W/ 19 MICRO CONTACTS } .050 SPACING</p> <p>2 = SIZE 11 SHELL W/ 42 MICRO CONTACTS } .050 SPACING</p> <p>3 = SIZE 13 SHELL W/ 73 MICRO CONTACTS } .050 SPACING</p> <p>4 = SIZE 9 SHELL W/ 51 NANO CONTACTS } .025 SPACING</p> <p>5 = SIZE 11 SHELL W/ 129 NANO CONTACTS } .025 SPACING</p> <p>6 = SIZE 13 SHELL W/ 198 NANO CONTACTS } .025 SPACING</p> <p>(AND CENTER GUIDE PIN)</p> <p>CONTACT TYPE</p> <p>P = PIN</p> <p>S = SOCKET</p> <p>TERMINATION</p> <p>WIRE TYPE</p> <p>STRANDED</p> <p>H = HARNESS (MIL-W-16878/4) - MICRO ONLY</p> <p>HARNESS (MIL-W-16878/6) - NANO ONLY</p> <p>S = SPACE (MIL-W-22759/33) - MICRO ONLY</p> <p>M = MILITARY (MIL-W-22759/11) * - MICRO ONLY</p> <p>SOLID</p> <p>G = GOLD PLATED COPPER - MICRO ONLY</p> <p>T = TIN PLATED COPPER - MICRO ONLY</p>	<p>MODIFIER (FLANGE MOUNT)</p> <p>0 - N/A</p> <p>2 - #2-56 CLINCH NUT</p> <p>WIRE LENGTH</p> <p>STRANDED</p> <p>01 = 6 INCHES</p> <p>02 = 12 INCHES</p> <p>03 = 18 INCHES</p> <p>04 = 24 INCHES</p> <p>05 = 36 INCHES</p> <p>06 = 72 INCHES</p> <p>SOLID COPPER - MICRO ONLY</p> <p>25 AWG</p> <p>01 = 0.5 INCH</p> <p>02 = 1.0 INCH</p> <p>03 = 0.25 INCH</p> <p>24 AWG</p> <p>11 = 0.5 INCH</p> <p>12 = 1.0 INCH</p> <p>13 = 0.25 INCH</p> <p>WIRE COLOR/SIZE</p> <p>MICRO</p> <p>0 = WHITE 26 AWG STRANDED *</p> <p>1 = YELLOW 26 AWG STRANDED</p> <p>2 = 10 SOLID COLORS REPEATED * 26 AWG STRANDED</p> <p>3 = FULL COLOR CODE 26 AWG STRANDED</p> <p>9 = SOLID COPPER *</p> <p>NANO</p> <p>0 = WHITE 32 AWG STRANDED *</p> <p>1 = YELLOW 32 AWG STRANDED</p> <p>2 = 10 SOLID COLORS REPEATED * 32 AWG STRANDED</p> <p>3 = FULL COLOR CODE 32 AWG STRANDED</p>					
<p>1. MATERIALS:</p> <p>SHELL AND JAM NUT - ALUMINUM ALLOY</p> <p>INSERT - REINFORCED THERMOPLASTIC, THERMOSET, OR EPOXY RESIN DIELECTRIC PLASTICS</p> <p>O-RINGS, INTERFACIAL AND PERIPHERAL SEALS - SILICONE BASED ELASTOMER</p> <p>CONTACTS - BERYLLIUM COPPER</p> <p>GROUND SPRING - BERYLLIUM COPPER</p> <p>INDUCTOR - FERRITE BEAD</p> <p>CAPACITORS - CERAMIC PLANAR</p> <p>2. FINISH:</p> <p>SHELL AND JAM NUT - ELECTROLESS NICKEL (PREFERRED), YELLOW CADMIUM OVER NICKEL, OR OLIVE CADMIUM OVER NICKEL</p> <p>CONTACTS - GOLD PLATE</p> <p>GROUND SPRING - SILVER PLATE</p>	<p>3. SPECIFICATIONS:</p> <p>NANO:</p> <p>CURRENT RATING 1 AMP MAX</p> <p>TEMPERATURE RATING -55° C TO +125° C</p> <p>INSULATION RESISTANCE 5000 MEGOHMS</p> <p>DWV AT SEA LEVEL 250 VAC</p> <p>DWV AT 70,000 FT ALTITUDE --- 100 VAC</p> <p>CONTACT RESISTANCE 30 mV DROP @ 1 a, 10 mA (BASED ON SOLID WIRE)</p> <p>CONTACT RETENTION 2 LBS AXIAL LOAD</p> <p>ENGAGEMENT FORCE 5 oz MAX</p> <p>SEPARATION FORCE 0.4 oz MIN</p> <p>MICRO:</p> <p>CURRENT RATING 3 AMPS MAX</p> <p>TEMPERATURE RATING -55° C TO +125° C</p> <p>INSULATION RESISTANCE 5000 MEGOHMS</p> <p>DWV AT SEA LEVEL 600 VAC</p> <p>DWV AT 70,000 FT ALTITUDE --- 150 VAC</p> <p>CONTACT RESISTANCE 8 MILLIOHMS MAX @ 2.5 AMPS</p> <p>LOW LEVEL CONTACT 10 MILLIOHMS MAX</p> <p>RESISTANCE</p> <p>CONTACT RETENTION 5 LBS AXIAL LOAD</p> <p>ENGAGEMENT FORCE 6 oz MAX</p> <p>SEPARATION FORCE 0.5 oz MIN</p>	<p>4. ADDITIONAL INFORMATION:</p> <p>SHELL INTERFACE DESIGN AND PERFORMANCE IN GENERAL ACCORDANCE WITH M38999.</p>				
<p>CRISTEK INTERCONNECTS, INC.</p> <p>www.cristek.com</p> <p>1301 S. Lewis St.</p> <p>Anaheim, CA 92805</p> <p>Phone: (714) 618-2000</p> <p>FAX: (714) 535-4897</p>	<p>TITLE</p> <p style="text-align: center;">HIGH-DENSITY CIRCULAR MICRO OR NANO CONTACTS, METAL SHELL</p> <p>FILENAME</p> <p style="text-align: center;">ADS-HDC-1</p>	<p>DWG. NO.</p> <p style="text-align: center;">HDC</p> <table border="1" style="width: 100%; border-collapse: collapse;"> <tr> <td style="width: 50%;">CODE IDENT NO.</td> <td style="width: 50%;">REV</td> </tr> <tr> <td style="text-align: center;">67720</td> <td style="text-align: center;">A</td> </tr> </table> <p>TOLERANCE: .XXX ±.005 .XX ±.01 ANGLE ±1°</p>	CODE IDENT NO.	REV	67720	A
CODE IDENT NO.	REV					
67720	A					



SHELL SIZE	A TH'D 0.1P 0.3L-2A	ØB	S ± .010	R1 BASIC	R2 BASIC	P	PP	V* ± .015	W
9	.6250	.466	.937	.719	.594	.128	.216	.795	.093
11	.7500	.584	1.032	.812	.719	.128	.194	.795	.093
13	.8750	.702	1.126	.906	.812	.128	.194	.795	.093

* = THIS DIMENSION MAY BE INCREASED TO LIMIT DISPLACEMENT IN THE BOX.

TRIPLE START THREAD WALL MOUNTING RECEPTACLE (STYLE T)

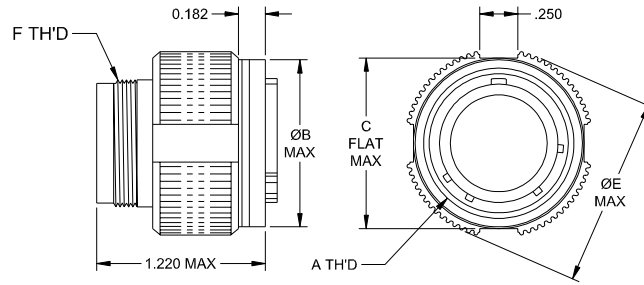


SHELL SIZE	A TH'D 0.1P 0.3L-2A	ØB	D	E ± .010	ØF ± .010	G TH'D 1.0-6g 0.100R	H ± .004
9	.6250	.466	.100	1.062	1.188	M17	.650
11	.7500	.584	.100	1.250	1.375	M20	.750
13	.8750	.702	.100	1.375	1.500	M25	.937

* = THIS DIMENSION MAY BE INCREASED TO LIMIT DISPLACEMENT IN THE BOX.

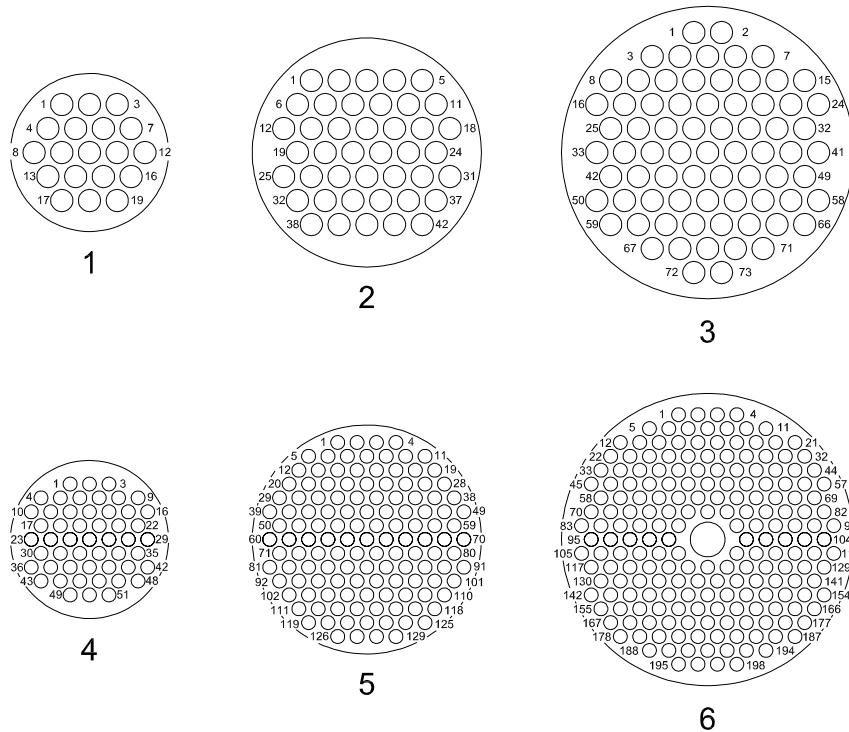
TRIPLE START THREAD JAM NUT MOUNTING RECEPTACLE (STYLE V)

CRISTEK INTERCONNECTS, INC. www.cristek.com 1301 S. Lewis St. Anaheim, CA 92805 Phone: (714) 618-2000 FAX: (714) 535-4897	TITLE	HIGH-DENSITY CIRCULAR MICRO OR NANO CONTACTS, METAL SHELL		DWG. NO.	HDC	
	FILENAME	ADS-HDC-2		CODE IDENT NO.	67720	REV A
			SHT	2	OF	3
				TOLERANCE: .XXX ±.005 .XX ±.01 ANGLE ±1°		



SHELL SIZE	A TH'D 0.1P 0.3L-2A	ØB MAX	C MAX	ØE ± .010	F TH'D 1.0-6g 0.100R
9	.6250	.732	.748	.858	M12
11	.7500	.838	.862	.984	M15
13	.8750	1.008	1.027	1.157	M18

TRIPLE START THREAD PLUG (STYLE P)



INSERT ARRANGEMENTS
(NUMBERED BY SIZE CODE)

CRISTEK INTERCONNECTS, INC. www.cristek.com 1301 S. Lewis St. Anaheim, CA 92805 Phone: (714) 618-2000 FAX: (714) 535-4897	TITLE	HIGH-DENSITY CIRCULAR MICRO OR NANO CONTACTS, METAL SHELL			DWG. NO.	HDC				
	FILENAME	ADS-HDC-3			CODE IDENT NO.	67720	SHT	3 OF 3	REV	A
						TOLERANCE: .XXX ±.005 .XX ±.01 ANGLE ±1°				