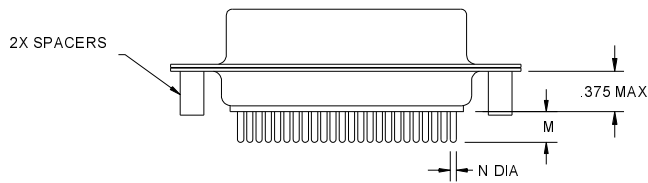
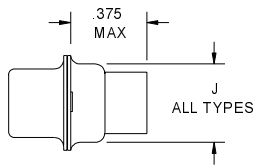


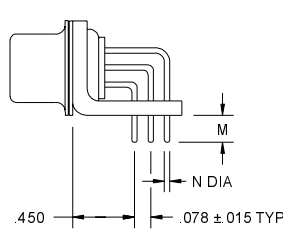
BASIC SHELL DIMENSIONS



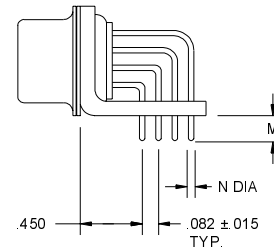
STRAIGHT P.C.B. MOUNT



CRIMP CONTACTS



SHELL SIZE 1 THRU 4
(15 - 62 CONTACTS)



SHELL SIZE 5 (78 CONTACTS)

RIGHT ANGLE P.C.B. MOUNT

CRISTEK INTERCONNECTS, INC. www.cristek.com 1301 S. Lewis St. Anaheim, CA 92805 Phone: (714) 618-2000 FAX: (714) 535-4897	TITLE	DWG. NO. M24308-HD				
		HIGH DENSITY D-SUBMINIATURE		CODE IDENT NO. 67720	SHT 1 OF 6	REV A
	FILENAME	ADS-HXP-1		TOLERANCE: .XXX ± .005 .XX ± .01 ANGLE ± 1°		

4.1 D-SUBMINIATURE CONNECTORS / M24308 & MOTS

PART NO. OF SHELL SIZE	A ±.015	B* ±.005	C ±.005	D* ±.005	E ±.015	F ±.010	G ±.004	H ±.010	J ±.010	K ±.010	L ±.010
HEP15P HEP15S	1.213	.666 .643	.984	.329 .311	.494	.422 .429	.234 .243	.759	.422	.045	.030
HAP26P HAP26S	1.541	.994 .971	1.312	.329 .311	.494	.422 .429	.234 .243	1.083	.422	.045	.030
HBP44P HBP44S	2.088	1.534 1.511	1.852	.329 .311	.494	.426 .429	.230 .243	1.625	.422	.060 .045	.039 .030
HCP62P HCP62S	2.729	2.182 2.159	2.500	.329 .311	.494	.426 .429	.230 .243	2.272	.422	.060 .045	.039 .030
HDP78P HDP78S	2.635	2.079 2.064	2.406	.441 .423	.605	.426 .429	.230 .243	2.178	.534	.060 .045	.039 .030

* B & D DIMENSIONS APPLY TO THE O.D. OF THE RECEPTACLE/SOCKET AND THE I.D. OF THE PLUG/PIN.

P.C.B. STYLE CONTACT TAILS AVAILABLE			
CONTACT STYLE	M	N DIA	CRISTEK TERMINATION "SUFFIX"
STRAIGHT	.185/.130	.020	3B
STRAIGHT	.320/.275	.020	3D
90° RIGHT ANGLE	.154/.099	.020	5G

1. MATERIALS:

SHELL - STEEL
INSULATOR - GLASS FILLED POLYESTER
CONTACT - COPPER ALLOY
SPACER - BRASS ALLOY 360 OR EQUIV.

2. FINISH:

SHELL AND SPACER - CADMIUM PLATE PER QQ-P-416, TYPE II, CLASS 2
WITH SUPPLEMENT YELLOW CHROMATE CONVERSION COATING
CONTACT - GOLD PER MIL-C-45204, TYPE II, GRADE C,
CLASS I OVER NICKEL PER QQ-N-290.

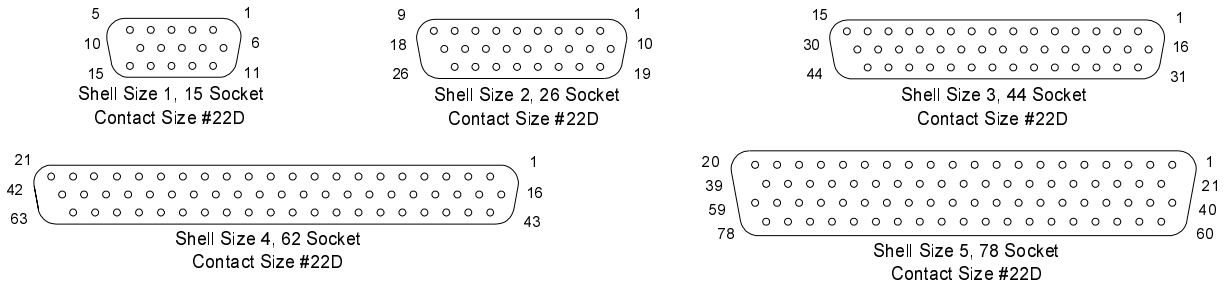
3. SPECIFICATIONS:

CURRENT RATING
24 AWG WIRE 3 AMP/45 MILLIVOLT MAX
20 AWG WIRE 7.5 AMP/55 MILLIVOLT MAX
TEMPERATURE RATING -55° C TO +125° C
INSULATION RESISTANCE 5000 MEGOHMS MIN
DWV AT SEA LEVEL 1000 VAC
DWV AT 70,000 FT ALTITUDE --- 325 VAC
RESISTANCE
CONTACT RETENTION 9 lb MINIMUM AXIAL LOAD
ENGAGEMENT FORCE 18 oz MAX
SEPARATION FORCE 0.7 oz MIN

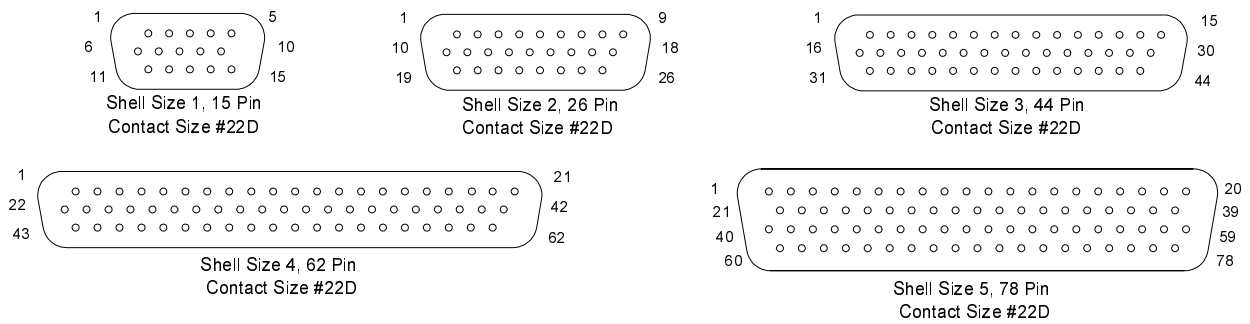
4. ADDITIONAL INFORMATION:

FOR ADDITIONAL CONFIGURATIONS, CONTACT CRISTEK.

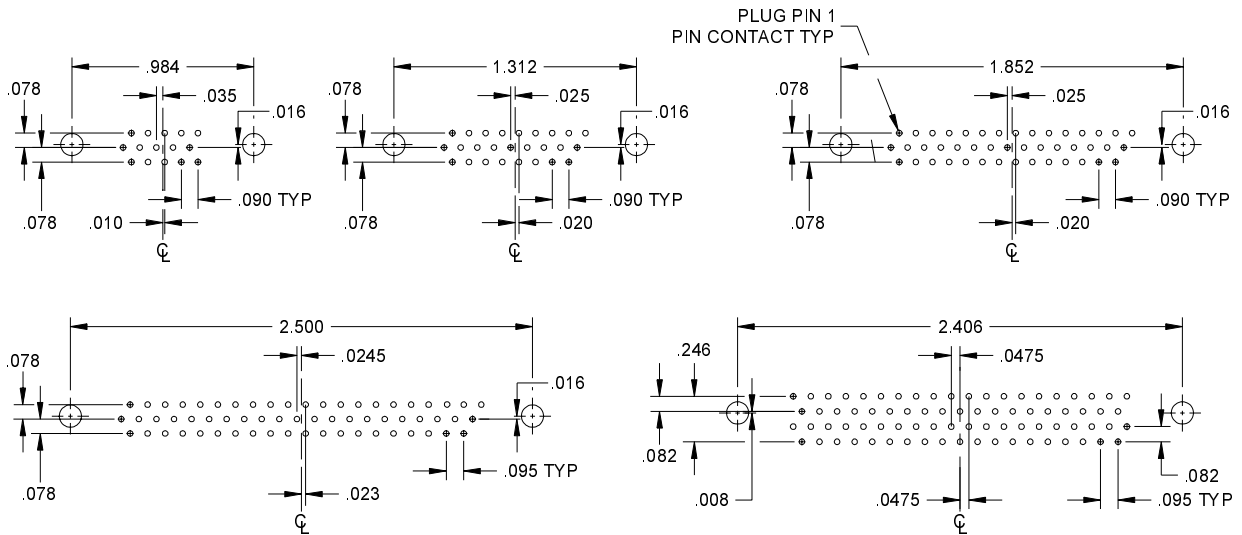
CRISTEK INTERCONNECTS, INC. www.cristek.com 1301 S. Lewis St. Anaheim, CA 92805 Phone: (714) 618-2000 FAX: (714) 535-4897	TITLE	DWG. NO.		
	HIGH DENSITY D-SUBMINIATURE	M24308-HD		
		FILENAME	CODE IDENT NO. 67720	SHT 2 OF 6
ADS-HXP-2		TOLERANCE: .XXX ±.005 .XX ±.01 ANGLE ±1°		



SOCKET INSERT MATING FACE (RECEPTACLE)



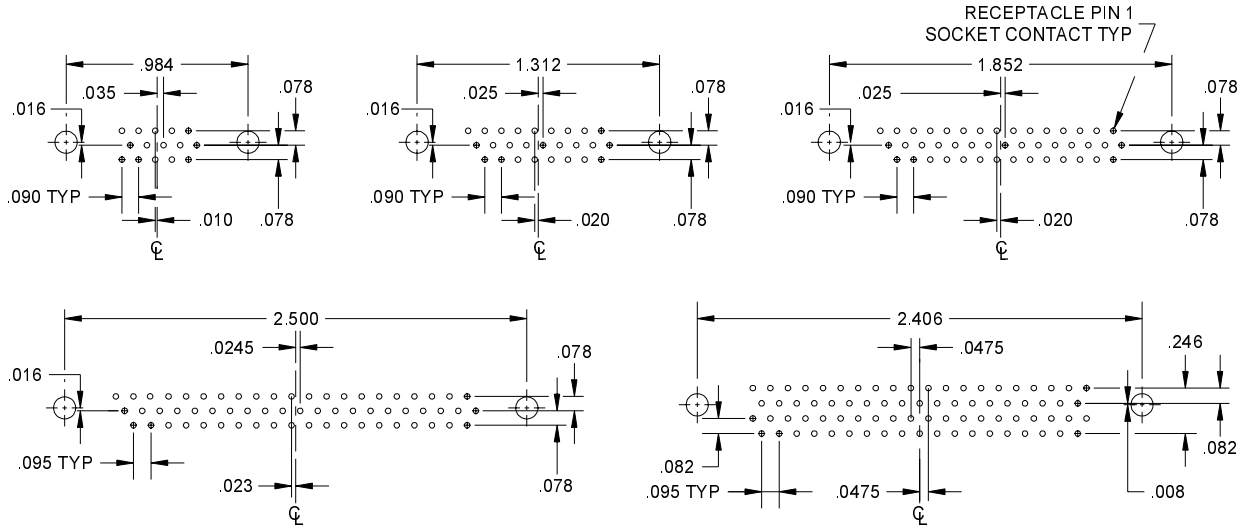
PIN INSERT MATING FACE (PLUG)



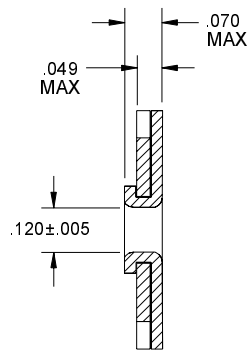
PLUG PIN CONTACT P.C.B. LAYOUT

CRISTEK INTERCONNECTS, INC. www.cristek.com 1301 S. Lewis St. Anaheim, CA 92805 Phone: (714) 618-2000 FAX: (714) 535-4897	TITLE	HIGH DENSITY D-SUBMINIATURE		DWG. NO.	M24308-HD	
	FILENAME	ADS-HXP-3		CODE IDENT NO.	67720	SHT 3 OF 6
				TOLERANCE:	.XXX ±.005	.XX ±.01
				ANGLE	±1°	
				REV	A	

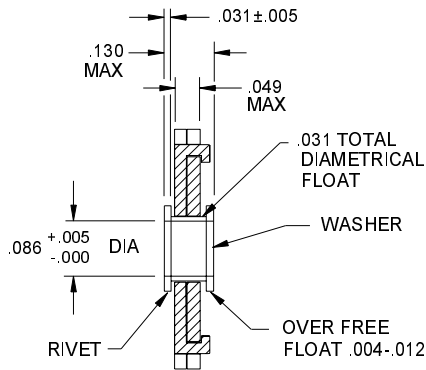
4.1 D-SUBMINIATURE CONNECTORS / M24308 & MOTS



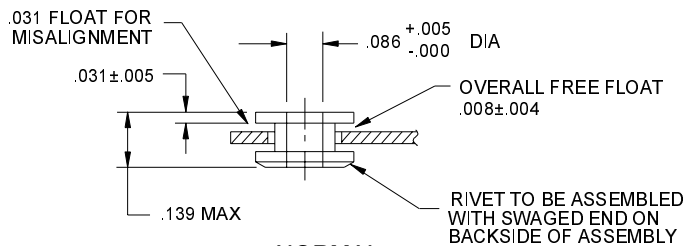
RECEPTACLE SOCKET CONTACT P.C.B. LAYOUT



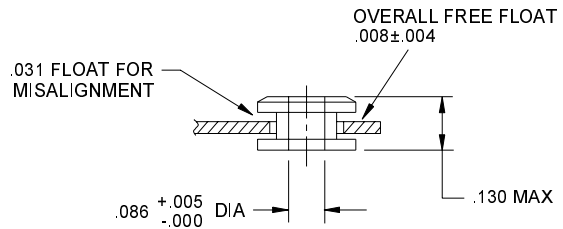
STANDARD THROUGH-HOLE



DUAL FLOAT MOUNT



NORMAL FLOAT MOUNTING BUSHING



REVERSE FLOAT MOUNTING BUSHING

MOUNTING CONFIGURATIONS

CRISTEK INTERCONNECTS, INC. www.cristek.com 1301 S. Lewis St. Anaheim, CA 92805 Phone: (714) 618-2000 FAX: (714) 535-4897	TITLE	HIGH DENSITY D-SUBMINIATURE			DWG. NO.	M24308-HD				
	FILENAME	ADS-HXP-4			CODE IDENT NO.	67720	SHT	4 OF 6	REV	A
					TOLERANCE: .XXX ± .005 .XX ± .01 ANGLE ± 1°					

MILITARY PART NUMBER	CRISTEK PART NUMBER	DESCRIPTION	MILITARY PART NUMBER	CRISTEK PART NUMBER	DESCRIPTION
M24308/2 11 M24308/2 12 M24308/2 13 M24308/2 14 M24308/2 15	HEP15S1 HAP26S1 HBP44S1 HCP62S1 HDP78S1	Receptacle, Socket Crimp Contacts	M24308/4 11 M24308/4 12 M24308/4 13 M24308/4 14 M24308/4 15	HEP15P1 HAP26P1 HBP44P1 HCP62P1 HDP78P1	Plug, Pin Crimp Contacts
M24308/2 17 M24308/2 18 M24308/2 19 M24308/2 20 M24308/2 21	HEP15S1.T2 HAP26S1.T2 HBP44S1.T2 HCP62S1.T2 HDP78S1.T2	Kit Receptacle, Socket Crimp Contacts With I/R Tool	M24308/4 17 M24308/4 18 M24308/4 19 M24308/4 20 M24308/4 21	HEP15P1.T2 HAP26P1.T2 HBP44P1.T2 HCP62P1.T2 HDP78P1.T2	Kit Plug, Pin Crimp Contacts with I/R Tool
M24308/2 28 M24308/2 29 M24308/2 30 M24308/2 31 M24308/2 32	HEP15S1F HAP26S1F HBP44S1F HCP62S1F HDP78S1F	Receptacle, Socket Crimp Contacts Float Mount	M24308/4 307 M24308/4 308 M24308/4 309 M24308/4 310 M24308/4 311	HEP15P1F HAP26P1F HBP44P1F HCP62P1F HDP78P1F	Plug, Pin Crimp Contacts Float Mount
M24308/2 39 M24308/2 40 M24308/2 41 M24308/2 42 M24308/2 43	HEP15S1F.T2 HAP26S1F.T2 HBP44S1F.T2 HCP62S1F.T2 HDP78S1F.T2	Kit Receptacle, socket Crimp Contacts, Float Mount with I/R Tool	M24308/4 318 M24308/4 319 M24308/4 320 M24308/4 321 M24308/4 322	HEP15P1F.T2 HAP26P1F.T2 HBP44P1F.T2 HCP62P1F.T2 HDP78P1F.T2	Kit Plug, Pin Crimp Contacts Float Mount with I/R Tool
M24308/2 286 M24308/2 287 M24308/2 288 M24308/2 289 M24308/2 290	HEP15S1NO HAP26S1NO HBP44S1NO HCP62S1NO HDP78S1NO	Receptacle, Less Socket Crimp Contacts	M24308/4 264 M24308/4 265 M24308/4 266 M24308/4 267 M24308/4 268	HEP15P1NO HAP26P1NO HBP44P1NO HCP62P1NO HDP78P1NO	Plug, Less Pin Crimp Contacts
M24308/2 297 M24308/2 298 M24308/2 299 M24308/2 300 M24308/2 301	HEP15S1FNO HAP26S1FNO HBP44S1FNO HCP62S1FNO HDP78S1FNO	Receptacle, Less Socket Crimp Contacts Float Mount	M24308/4 329 M24308/4 330 M24308/4 331 M24308/4 332 M24308/4 333	HEP15P1FNO HAP1P1FNO HBP44P1FNO HCP62P1FNO HDP78P1FNO	Plug, Less Pin Crimp Contacts Float Mount
M24308/2 347 M24308/2 348 M24308/2 349 M24308/2 350 M24308/2 351	HEP15S1D HAP26S1D HBP44S1D HCP62S1D HDP78S1D	Receptacle, Socket Crimp Contacts Dual Float Mount	M24308/14 440 M24308/14 441 M24308/14 442 M24308/14 443 M24308/14 444	HEP15P1D HAP26P1D HBP44P1D HCP62P1D HDP78P1D	Plug, Pin Crimp Contacts Dual Float Mount
M24308/2 358 M24308/2 359 M24308/2 360 M24308/2 361 M24308/2 362	HEP15S1D.T2 HAP26S1D.T2 HBP44S1D.T2 HCP62S1D.T2 HDP78S1D.T2	Kit Receptacle, Socket Crimp Contacts, Dual Float Mount with I/R Tool	M24308/14 451 M24308/14 452 M24308/14 453 M24308/14 454 M24308/14 455	HEP15P1D.T2 HAP26P1D.T2 HBP44P1D.T2 HCP62P1D.T2 HDP78P1D.T2	Kit Plug, Pin Crimp Contacts, Dual Float Mount with I/R Tool
M24308/2 487 M24308/2 488 M24308/2 489 M24308/2 490 M24308/2 491	HEP15S1DNO HAP26S1DNO HBP44S1DNO HCP62S1DNO HDP78S1DNO	Receptacle, Less Socket Crimp Contacts, Dual Float Mount	M24308/14 462 M24308/14 463 M24308/14 464 M24308/14 465 M24308/14 466	HEP15P1DNO HAP26P1DNO HBP44P1DNO HCP62P1DNO HDP78P1DNO	Plug, Less Pin Crimp Contacts, Dual Float Mount

QUALIFICATION PENDING. CHECK WEBSITE FOR LATEST DEVELOPMENTS.

M24308 TO CRISTEK PART NUMBER EQUIVALENT CROSS REFERENCE

CRISTEK INTERCONNECTS, INC. www.cristek.com 1301 S. Lewis St. Anaheim, CA 92805 Phone: (714) 618-2000 FAX: (714) 535-4897	TITLE	HIGH DENSITY D-SUBMINIATURE		DWG. NO.	M24308-HD	
	FILENAME	ADS-HXP-5		CODE IDENT NO. 67720	SHT 5 OF 6	REV A
				TOLERANCE: .XXX ±.005 .XX ±.01 ANGLE ±1°		

4.1 D-SUBMINIATURE CONNECTORS / M24308 & MOTS

MILITARY PART NUMBER	CRISTEK PART NUMBER	DESCRIPTION	MILITARY PART NUMBER	CRISTEK PART NUMBER	DESCRIPTION
M24308/23.61 M24308/23.62 M24308/23.63 M24308/23.64 M24308/23.65	HEP15S3B HAP26S3B HBP44S3B HCP62S3B HDP78S3B	Receptacle, Socket Straight P.C. Tail- .020 Diameter, .185/.130 Long	M24308/24.61 M24308/24.62 M24308/24.63 M24308/24.64 M24308/24.65	HEP15P3B HAP26P3B HBP44P3B HCP62P3B HDP78P3B	Plug, Pin Straight P.C. Tail- .020 Diameter, .185/.130 Long
M24308/23.67 M24308/23.68 M24308/23.69 M24308/23.70 M24308/23.71	HEP15S3D HAP26S3D HBP44S3D HCP62S3D HDP78S3D	Receptacle, Socket Straight P.C. Tail- .020 Diameter, .320/.275 Long	M24308/24.67 M24308/24.68 M24308/24.69 M24308/24.70 M24308/24.71	HEP15P3D HAP26P3D HBP44P3D HCP62P3D HDP78P3D	Plug, Pin Straight P.C. Tail- .020 Diameter, .320/.275 Long
M24308/23.73 M24308/23.74 M24308/23.75 M24308/23.76 M24308/23.77	HEP15S5G HAP26S5G HBP44S5G HCP62S5G HDP78S5G	Receptacle, Socket 90° P.C. Tail .020 Diameter, .154/.099 Long	M24308/24.73 M24308/24.74 M24308/24.75 M24308/24.76 M24308/24.77	HEP15P5G HAP26P5G HBP44P5G HCP62P5G HDP78P5G	Plug, Pin 90° P.C. Tail .020 Diameter, .154/.099 Long

M24308 TO CRISTEK PART NUMBER EQUIVALENT CROSS REFERENCE

MILITARY PART NUMBER	CRISTEK PART NUMBER	DESCRIPTION	MILITARY PART NUMBER	CRISTEK PART NUMBER	DESCRIPTION
M24308/6.11F M24308/6.12F M24308/6.13F M24308/6.14F M24308/6.15F	HEP15S1B HAP26S1B HBP44S1B HCP62S1B HDP78S1B	Receptacle, Socket Crimp Contacts	M24308/8.11F M24308/8.12F M24308/8.13F M24308/8.14F M24308/8.15F	HEP15P1B HAP26P1B HBP44P1B HCP62P1B HDP78P1B	Plug, Pin Crimp Contacts
M24308/6.286F M24308/6.287F M24308/6.288F M24308/6.289F M24308/6.290F	HEP15S1BNO HAP26S1BNO HBP44S1BNO HCP62S1BNO HDP78S1BNO	Receptacle, Less Socket Crimp Contacts	M24308/8.264F M24308/8.265F M24308/8.266F M24308/8.267F M24308/8.268F	HEP15P1BNO HAP26P1BNO HBP44P1BNO HCP62P1BNO HDP78P1BNO	Plug, Less Pin Crimp Contacts

NOTE : THE CROSS REF ABOVE REPRESENTS ONLY THE BRASS SHELLED VERSION OF THE EQUIVALENT MIL SPEC PART. MANY OTHER OPTIONS AND CUSTOM MODIFICATIONS ARE AVAILABLE. PLEASE CONTACT FACTORY.

M24308 EQUIVALENT TO CRISTEK PART NUMBER CROSS REFERENCE FOR NON-MAGNETIC HIGH-DENSITY D-SUB CONNECTORS

QUALIFICATION PENDING. CHECK WEBSITE FOR LATEST DEVELOPMENTS.

CRISTEK INTERCONNECTS, INC. www.cristek.com 1301 S. Lewis St. Anaheim, CA 92805 Phone: (714) 618-2000 FAX: (714) 535-4897	TITLE	DWG. NO.		
	HIGH DENSITY D-SUBMINIATURE	M24308-HD		
		CODE IDENT NO. 67720	SHT 6 OF 6	REV A
FILENAME	ADS-HXP-6	TOLERANCE: .XXX ±.005 .XX ±.01 ANGLE ±1°		