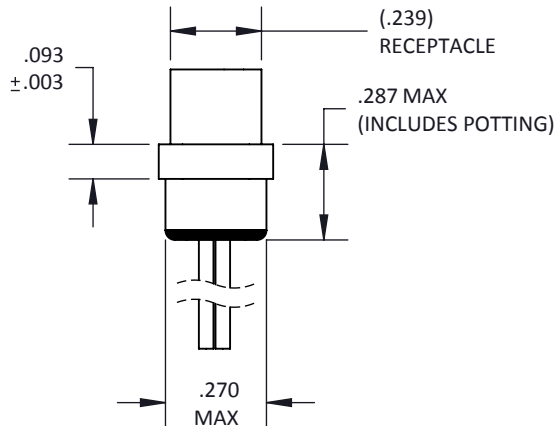
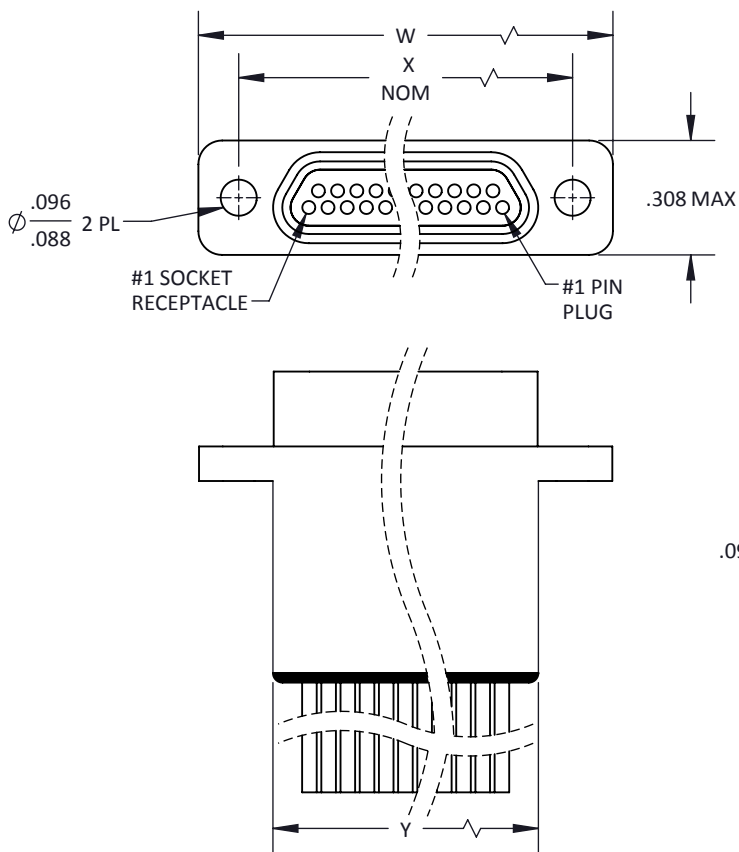


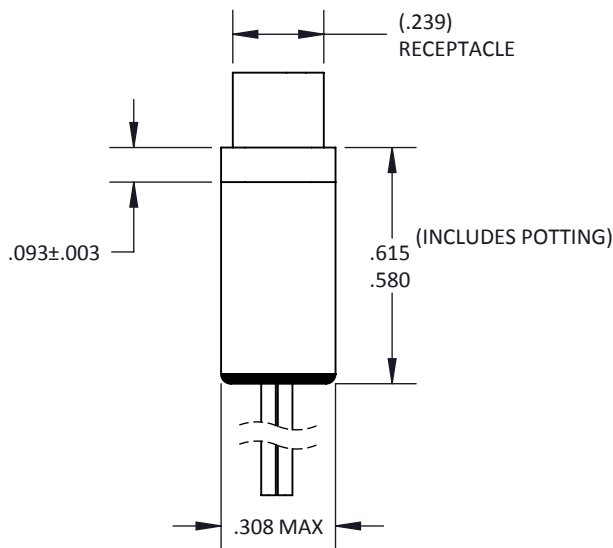
NO. OF CONTACTS	W MAX	X BSC	Y MAX
9	.785	.565	.386
15	.935	.715	.536
21	1.085	.865	.686
25	1.185	.965	.786
31	1.335	1.115	.936
37	1.485	1.265	1.086



C - TYPE FILTER



NO. OF CONTACTS	W MAX	X BSC	Y MAX
9	.785	.565	.435
15	.935	.715	.585
21	1.085	.865	.735
25	1.185	.965	.835
31	1.335	1.115	.985
37	1.485	1.265	1.135



PI - TYPE FILTER

TOLERANCE: .XXX ±.005
.XX ±.01
ANGLE ±1°

TITLE MICRO-D METAL SHELL
FILTERED
CONFORMING TO M83513

SHT 1 OF 2

DWG. NO. FMD

REV G



9



15



21



25



31



37

MATING FACE - RECEPTACLE
(MIRROR IMAGE FOR PLUG)

FMD - X X - X X X X X X X X X X

FILTERED MICRO-D

GENDER

- 1 = RECEPTACLE, SOCKET CONTACTS
- 2 = PLUG, PIN CONTACTS

NUMBER OF CONTACTS

- A = 9 D = 25
- B = 15 E = 31
- C = 21 F = 37

SHELL HARDWARE

- 0 = NO HARDWARE
- 1 = JACKPOST PER MIL-M-83513/5-07 SIZES 9 THRU 37 *
- 2 = LOW PROFILE HEX DRIVE JACKSCREW *
- 3 = HIGH PROFILE HEX DRIVE JACKSCREW
- 5 = LOW PROFILE SLOTTED JACKSCREW
- 6 = HIGH PROFILE SLOTTED JACKSCREW

SHELL FINISH

- C = CADMIUM
- N = NICKEL

TERMINATIONS

WIRE TYPE

STRANDED

- H = HARNESS (MIL-W-16878/4)
- S = SPACE (MIL-W-22759/33)
- M = MILITARY (MIL-W-22759/11) *

SOLID

- G = GOLD PLATED COPPER
- T = TIN/LEAD PLATED COPPER

* = MOST COMMONLY USED & STOCKED WIRE TYPES AND HARDWARE OPTIONS

FILTER CHARACTERISTICS

- L = LOW RANGE
- M = MID RANGE
- T = STANDARD RANGE
- H = HIGH RANGE
- VH = VERY HIGH RANGE

FILTER TYPE

- C = C
- P = Pi

WIRE LENGTH

STRANDED (+1.00 / -0.00)

- 1 = 6 INCHES
- 2 = 12 INCHES
- 3 = 18 INCHES
- 4 = 24 INCHES
- 5 = 36 INCHES
- 6 = 72 INCHES

SOLID COPPER (+0.20 / -0.00)

- 1 = 0.5 INCH
- 2 = 1.0 INCH
- 3 = 0.25 INCH

WIRE SIZE

STRANDED WIRE

- 0 = 26 AWG
- 1 = 24 AWG
- 2 = 28 AWG

SOLID WIRE

- 0 = 25 AWG
- 1 = 24 AWG

WIRE COLOR/TYPE

- 0 = WHITE STRANDED *
- 1 = YELLOW STRANDED
- 2 = 10 SOLID COLORS REPEATED *
- 3 = FULL COLOR CODE STRANDED
- 9 = SOLID COPPER *

MATERIALS AND FINISHES ARE IAW MIL-DTL-83513 WHERE APPLICABLE.
FOR DETAILS SEE MIL SPEC OR WWW.CRISTEK.COM

1. MATERIALS:

- SHELL - ALUMINUM ALLOY
- INSULATOR - GLASS FILLED THERMOPLASTIC
- PIN/SOCKET CONTACT - COPPER ALLOY
- INTERFACIAL SEAL - FLUOROSILICONE BLEND

2. FINISH:

- SHELL - ELECTROLESS NICKEL OR CADMIUM OVER ELECTROLESS NICKEL
- CONTACT - GOLD OVER NICKEL

3. SPECIFICATIONS:

- CURRENT RATING ----- 3 AMPS MAX
- TEMPERATURE RATING ----- -55° C TO +125° C
- INSULATION RESISTANCE ----- 1000 MEGOHMS MIN
- DWV AT SEA LEVEL ----- 100 VOC
- CONTACT RESISTANCE ----- 8 MILLIOHMS AT 2.5 AMPS
- LOW LEVEL CONTACT ----- 10 MILLIOHMS MAX
- RESISTANCE
- CONTACT RETENTION ----- 5 LBS MINIMUM AXIAL LOAD
- ENGAGEMENT FORCE ----- 6 oz MAX
- SEPARATION FORCE ----- 0.5 oz MIN

4. ADDITIONAL INFORMATION:

- CONSULT CRISTEK FOR OTHER CONFIGURATIONS.

5. PREVIOUS CATALOG TERMINATION

- CALLOUT "5" IS NOW "T903."

TOLERANCE: .XXX ±.005
.XX ±.01
ANGLE ±1°

TITLE MICRO-D METAL SHELL
FILTERED
CONFORMING TO M83513

SHT 2 OF 2

DWG. NO. FMD

REV G