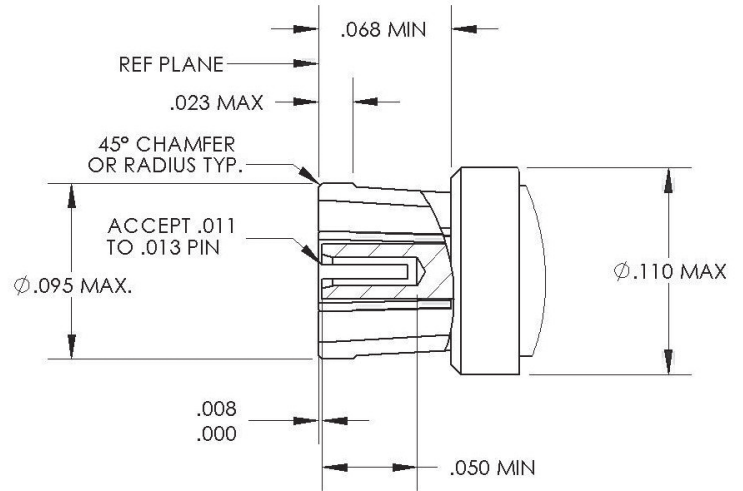


SMMPM Full Detent



Materials

Beryllium Copper (BeCu)

Per ASTM B 196 or ASTM B 197

Stainless Steel 303

Per ASTM A 484, ASTM A 582, ASTM A 555 or ASTM A 581

PTFE

Per ASTM D 1710

Brass

Per ASTM B 36, ASTM B 121, ASTM B 16 or ASTM B 16M

Kovar

Per ASTM F 15

Glass

Corning 7070

Standard Finish

Gold

Per MIL-DLT-45204 , Type III, Grade C Class 1

Nickel

Per SAE ASM 2404

Passivate

Per ASTM A967 or SAE AMS 2700